



A PLAYCORE Company

OWNER'S MANUAL

This document includes:

Warranty Information
Ground Plan
Hardware Listing
Assembly and Installation Instructions



byoplayground.com | 800.853.5316



Dear BYO Recreation Customer,

Thank you for choosing to purchase and install a BYO Recreation play system. We appreciate the confidence and trust you have placed in our company.

Your Installation Guide is enclosed. We designed this manual specifically for the products you have purchased. Included in this manual you will find the following documents:

- Product Installation Instructions
- 2-D Top View Drawing specific to your structure
- Ground Plan

If you have any questions concerning your new equipment, you can reach a customer service representative at 1-800-853-5316 or contact us online at www.byoplayground.com/contact-us.

For more information on BYO Recreation products, please do not hesitate to call us, or visit us online at www.byoplayground.com.

Thank you for your business; we look forward to working with you on future playground equipment projects!

Sincerely,

BYO Recreation

Safety Guidelines

Maintaining your playground equipment as well as its surrounding area is essential to minimizing the risk of injury to users as well as maximizing its useful lifespan. BYO Recreation STRONGLY recommends that you follow these Safety Guidelines in conjunction with conducting periodic maintenance inspections using the accompanying **Playground Maintenance Checklist**. When installing, always consider local conditions and codes. Good common sense works hand-in-hand with the instructions.

LOCATING YOUR PLAY STRUCTURE

Comply with the following when choosing the location for your new equipment:

- Equipment should be placed to eliminate conflicting traffic patterns. As a general rule, allow at least 6' of free space around the entire structure, EXCEPT for slide exits, which require a distance X equal to highest point of sliding surface with a minimum of 72" and maximum of 96" from the edge of the slide. Example: a Slide from a 6' high deck requires 6' of clear space with resilient surfacing in front of and behind them for safe circulation. Example: a Swing with a 8' high beam requires 16' of free space in front, and another 16' behind it, for a total of 32'. These minimum areas should be filled with the appropriate resilient surface material. See below for resilient surfacing recommendations.
- If your equipment includes any metal slides, they should be positioned in a shaded area, or at least positioned to avoid the sun's direct rays.
- Never overlap the safety zones of adjacent equipment. All separate play equipment must have its own safety zone, and these cannot overlap. So, if you have an existing structure with a slide exit oriented toward your new one, add your minimum safety zone to that of the existing slide to determine how far away you need to be.
- Never install playground equipment near, around, or in conjunction with swimming pools, ponds, lakes or any other bodies of water.

CHOOSING RESILIENT SURFACING MATERIAL

Playground equipment must be installed on a soft, resilient, energy-absorbing ground surface. NEVER INSTALL PLAY EQUIPMENT ON CONCRETE, ASPHALT, OR GRASS. A fall on a hard surface from even a low platform of 3' high can result in serious injury to the user. Refer to CPSC and ASTM F1292 for recommended surfacing depths and requirements.

Tip: If your surfacing material is of the loose variety, checking for proper depth over time can be made easy by applying a non-removable florescent tape or paint in a bright color at the proper level on each post. Thereafter, as the resilient surfacing material compacts or washes away, the person responsible for regular maintenance inspections can easily see it must be replenished as the marks become visible.

AFTER THE EQUIPMENT IS IN USE

- Never add components not intended for use with this product.
- Never install other play equipment, fencing, landscaping, etc., which encroach upon the safety zones of this equipment.
- Check to make sure that there are no overhead obstructions within the use zone of the playground equipment that are not part of the play structures (example: tree limbs). Any overhead obstructions should be at least 84" above each platform or designated play surface or 84" above the pivot point of swings. All overhead utility line clearances above the use zone area should comply with all local, state and national codes.
- Regularly inspect and maintain your playground equipment and its surrounding area. Proper maintenance of Play & Park Structures equipment includes using the accompanying Playground Maintenance Checklist to identify areas requiring repairs or replacement, and barricading the equipment to prevent use while corrections are being made.
- If your playground equipment includes any wood components, bolts may need to be re-tightened after initial use due to wood shrinkage. Check and re-tighten all fasteners after the first few days of use, and again after the first 3 weeks of use. Thereafter, exercise normal maintenance procedures. Using a thread-locking compound on the threads of bolts can help prevent persistent loosening.
- 'S' hooks must be completely closed. Replace all worn 'S' hooks, and never re-use 'S' hooks.
- Pipes should never be allowed to turn. In the case of wood playground equipment, make sure all collars are snugly flush against the inside of posts with set screws tightened and wood screws flush against the outside of the collar, and all flat head bolts and set screws are tight. In the case of steel playground equipment, check set screws for tightness.

For specific information regarding playground safety and your responsibilities as the owner of this equipment, please contact the Consumer Product Safety Commission (CPSC), Washington, DC. for the latest guidelines for your play area and this equipment.

If any conditions or damages are discovered in violation of these Safety Guidelines or the accompanying Playground Maintenance Checklist, the play equipment should be barricaded immediately and children should not be allowed to use it until the conditions are corrected.

Introduction to Installation Instructions

Revised 03.29.16

IMPORTANT! Please read the entire Installation Instructions packet before beginning the installation.

SuperMax, DuraMax, totmax, Skyline, Boulderscapes and Horizons Play Systems are designed to take advantage of all Consumer Product Safety Commission (CPSC) Guidelines and ASTM standards in force at the time of purchase in an effort to help reduce the chance of playground accidents. However, because studies have shown most playground injuries result from accidental falls, you, as the new owner of this equipment, are responsible for providing and adequately maintaining **resilient play surfacing** under and around all playground equipment. Please refer to the accompanying Safety Guidelines as well as CPSC guidelines and this document for examples of such surfacing.

We would like to provide the following suggested guidelines for your play environment:

- Refer to the Footing Diagram and note the Minimum Area Required shown for this structure. This area must be filled with adequate resilient play surface material, and must be clear of all obstacles, including but not limited to trees, curbing, sidewalk, fence, other play equipment, rocks and landscaping, etc.
- Acceptable play surfaces include sand, wood mulch, fine gravel or ground belt-less tires, if installed at the appropriate depths per CPSC guidelines for play surfacing.
- When using sand, wood mulch, or ground belt-less tires, a minimum of 6" depth is recommended by the CPSC. BYO Recreation recommends an additional 4", for a total of 10", to combat the fast compacting characteristics of these materials. Surfaces must be checked at least weekly for compacting, which reduces resiliency significantly.
- Paved surfaces such as asphalt, concrete, gravel or sod are not acceptable for use under playground equipment, or anywhere within the stated Minimum Area Required.
- Close supervision of children playing on or around the structure is strongly recommended, along with classroom and/or home instructions on acceptable behavior on the playground equipment. The full supervision of playgrounds is the responsibility of the owner once the play structure has been properly installed.

TOOLS REQUIRED:

BYO Recreation supplies the special bits required to fasten the "tamper-resistant" bolts. You will need common tools such as wrenches, Allen key set, drill, string line, level, mallet, shovels, post hole digger, pry bar, washable felt tip marker and a tape measure.

INSTALLATION GUIDELINES:

1. Compare all parts received to the packaging list. Notify BYO Recreation immediately of any missing parts. We are not responsible for parts discovered missing over 10 days after receipt of the shipment.
2. Refer to your Footing Diagram to ensure this structure will fit into your actual site area. Note the Minimum Area Required measurements to determine clear space required. A minimum of 6' clearance is required between any obstacles and your structure. EXCEPT for slide exits, which require a distance X equal to the highest point of sliding surface with a minimum of 6' and a maximum of 8' from the edge of the slide (example: A slide from a 6' high deck requires 6' of clear space with resilient surfacing in front of its exit).
3. Site selection should include considerations of what is a safe and appropriate play area:
 - a. A level and clear site is ideal, free of power lines or electrical equipment.
 - b. Do not install play equipment near any bodies of water.
 - c. If adjacent to a street with traffic, ensure adequate fencing acts as a barrier to children running into danger.
4. Site layout should include accurate measurement and marking of all footings prior to any installation. Use the dimensions shown between footings on the Footing Diagram to plot out the actual footprint of the play structure before doing any digging. Also, locate any free-standing play equipment in the same way, providing the necessary clearance between the equipment as well as any fences, trees, etc. Ensure at this time that you have enough total space for the equipment to be installed.
5. Excavate holes as shown in the Footing Diagram using a string line. An optional string line level is very helpful. If a level and clear site is not possible, adjust the depth of the footings to maintain a minimum depth of 18 in. for support posts at the lowest grade. NOTE: if soil conditions are very loose or otherwise unstable, a larger diameter footing may be required. Consult with local contractors for appropriate recommendations.
6. Begin your SuperMax, DuraMax, totMax , Skyline, Horizons, and BoulderScapes Play Systems installation by erecting the decks as shown within the following instructions.
IMPORTANT: Do not concrete product until installation is complete!
Once all decks are installed, components such as slides, climbers, etc., can be connected per their respective assembly instructions. Note that connecting components between decks such as Horizontal Ladders, Crawl Tunnels, Trapeze Beams, etc., should be installed concurrently with the decks to ensure they meet accurately.
7. CPSC guidelines mandate that there should be no gaps present in the playground equipment which fall between 3 ½" and 9". The positioning of certain components by the installer can affect this criteria, so you should always measure distances created when attaching components by the installer, which can cause entrapment of a child using the equipment. Also, ASTM requires that no more than 2 threads of bolt can protrude from the nut. Any excess threads should be filed down and made smooth to the touch.

8. When concrete is poured, be sure to keep the top 4" below the grade, and sloped away from the post to promote good water drainage. Wash off any concrete, which may have splashed onto the post before it dries. Allow all concrete to harden a minimum of 48 hours before using equipment.

SAFETY DURING INSTALLATION:

1. Before doing any excavation, inquire about any existing underground utilities.
2. Do not leave the job site unattended without making sure that all fastening hardware on all equipment are tightened and all Drive Rivets are in place to prevent clamps from moving, in case of unauthorized use. **BYO RECREATION CLAMPS ARE NOT DESIGNED TO SUPPORT HUMAN WEIGHT WITHOUT THE DRIVE RIVETS INSTALLED, AND SUCH USE COULD CAUSE INJURY TO THE USER AND/OR DAMAGE TO THE EQUIPMENT.** It is also strongly recommended that all installation areas be roped off with clearly marked warning signs posted. Any open footings should be covered with plywood or other suitable material. Even during installation, it has been found that children will use the unattended equipment, thereby risking accidents.
3. The installation area should remain roped off for at least 48 hours after the last concrete footer is poured. Children should not be allowed to use the equipment during this period so that concrete has a chance to fully set.
4. Do not attach swing chains, trapeze rings or similar moving components until after all construction is complete and resilient surfacing material has been installed. Remember that any equipment, which appears to be complete and functional will invite unauthorized use regardless of its actual state of readiness.

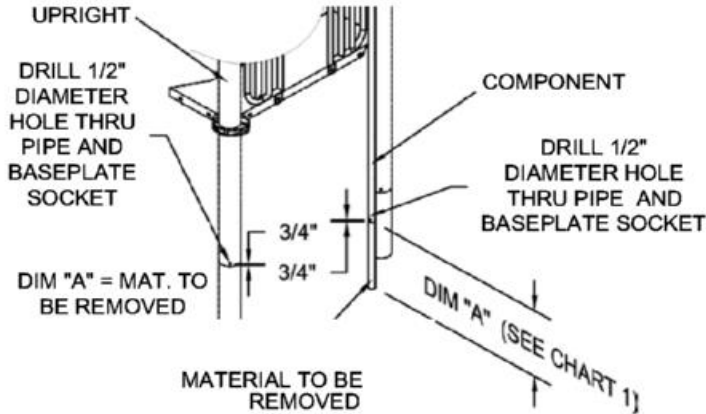
Finally, if you should have any questions regarding the proper installation of this equipment, please contact BYO Recreation at:

405 Golfway West Drive, Suite 302
Saint Augustine, FL 32095
TOLL Free: 800.853.5316
Visit our website: www.byoplayground.com

60855

SURFACE MOUNT INSTALLATION INSTRUCTIONS

NOTE: 2", 8", 10" LENGTH INDICATES THE SURFACING DEPTH. ALL COMPONENTS ARE SHIPPED AS STANDARD 30" INGROUND LENGTH. (20" DEEP HOLES & 10" SURFACING)



IMPORTANT: CHECK ALL GROUND MEMBER LOCATIONS TO COMPENSATE FOR SLOPE BEFORE CUTTING!

DETAIL 1

(FOR SURFACE MOUNT INSTALLATIONS)

CHART 1

SURFACING DEPTH	MATERIAL TO BE REMOVED	
	W/OUT EXT.	W/6" EXT.
2"	28 11/16"	22 11/16"
8"	22 11/16"	16 11/16"
10"	20 11/16"	14 11/16"

NOTES:

1. DIM "A" = MATERIAL TO BE REMOVED.
2. SOME INGROUND COMPONENTS REQUIRE EXTENSIONS. REVIEW YOUR STANDARD INSTALLATION SHEET IF EXTENSIONS ARE REQUIRED. ADJUST MATERIAL TO BE REMOVED ACCORDINGLY.
i.e. A COMPONENT REQUIRING 6" EXTENSIONS, AND IF SURFACING DEPTH IS TO BE 2", MATERIAL TO BE REMOVED WILL BE 22 11/16"

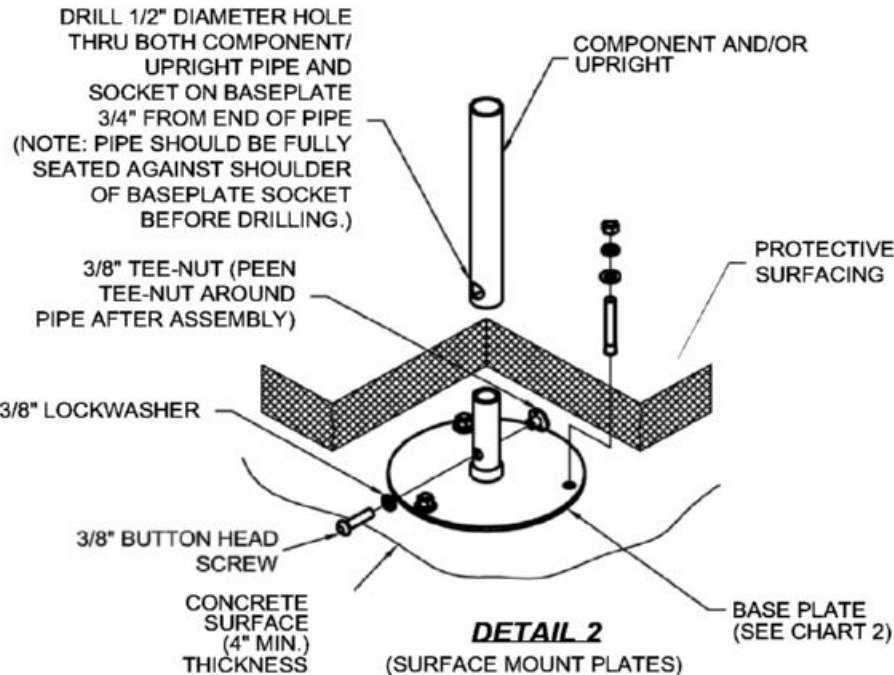
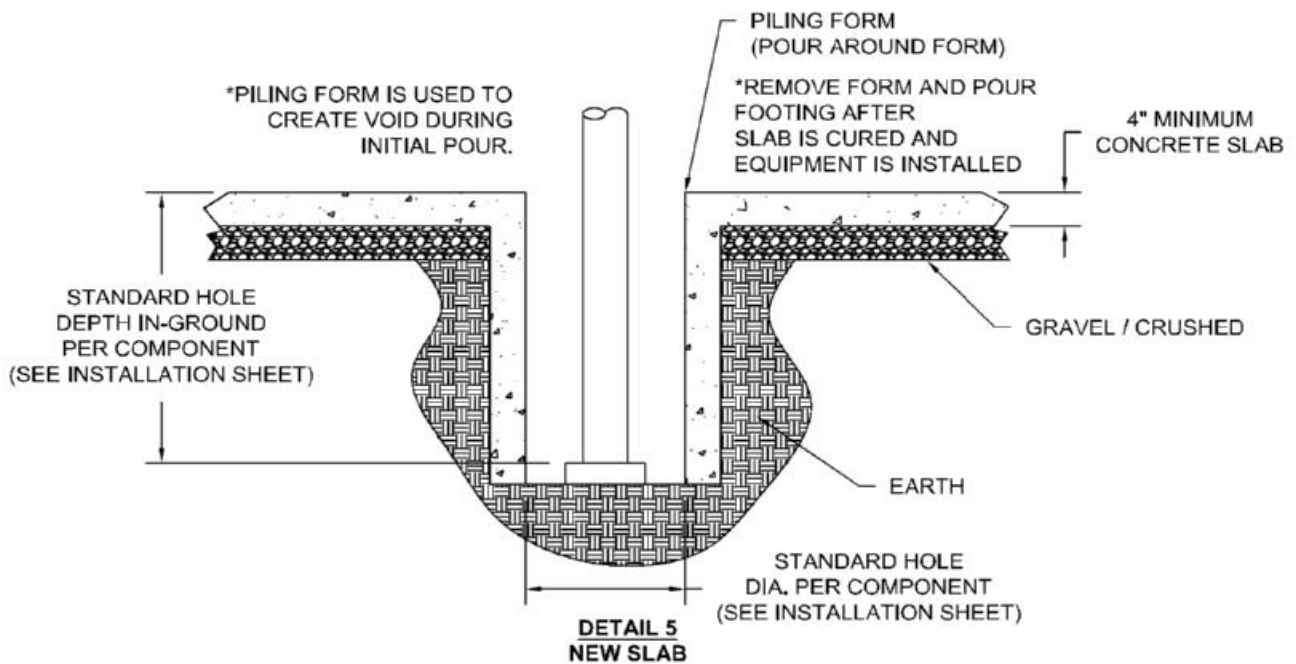
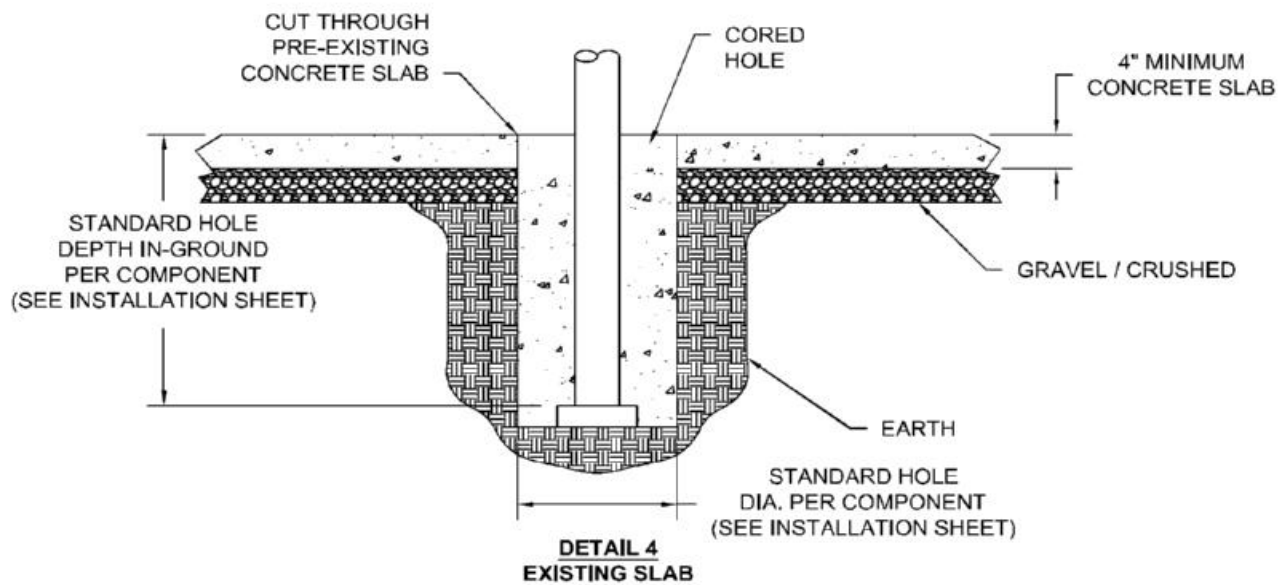


CHART 2

NUMBER	O.D.	BASE PLATE
404765	1.029"	404764
60855	1 5/16"	152850
60856	1 5/8"	152851
60857	1 7/8"	152852
60858	2 3/8"	152853
60859	2 7/8"	152854
60860	3 1/2"	152856
60861	5"	152855



SURFACE MOUNT INSTALLATION INSTRUCTIONS

1. Before assembling this equipment, read the enclosed INSTALLATION INSTRUCTIONS in the installation booklet; follow all the instructions during installation.
2. Concrete requirements for Surface Mount shall be 4" minimum thickness w/ 3000 psi.
3. For Surface Mount, remove required length of component and/or upright as indicated in **DETAIL 1**. See **CHART 1** for the material length to be removed. (Required for 2", 8" or 10" surface mount only.) **Note:** Deburr and remove any sharp edges on part after cut is made.
4. Drill 1/2" diameter hole thru component/uprights and baseplate socket 3/4" from end of pipe. The pipe should be fully seated against neck of socket before drilling holes.
5. Attach Component to base plate as shown in **DETAIL 2**. See **CHART 2** for the specific base plate required for the diameter pipe being used. (Required for 2", 8" or 12" Surface mount only.)

IMPORTANT: Some components such as slides, chinning bars, nets, climbers, etc. may require "cored" holes to help eliminate movement when installed. Refer to Ground Plan configuration to determine if "cored" holes are required.

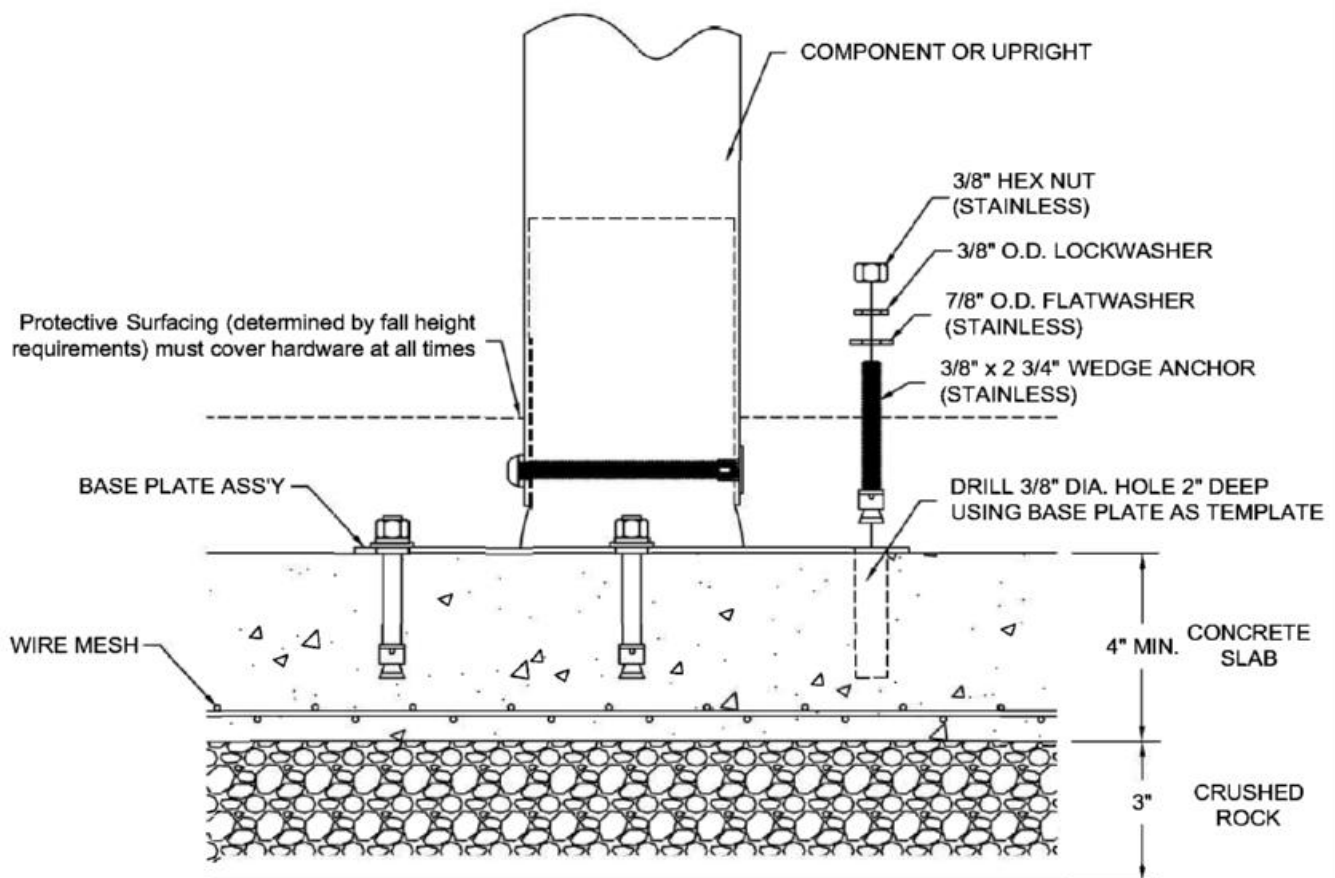
NOTE: If concrete slab is pre-existing and a cored hole is required it must be drilled through existing concrete to allow for concrete footing. Review your standard installation sheet for correct size and location of cored hole. See Detail 3.

NOTE: Cored holes can be created prior to concrete pour by using piling forms to create a void when pouring. See Detail 4.

NOTE: If a base plate interferes with an insert required for a below deck component that base plate will require a notch to be applied in the field.

CONCRETE SPECIFICATIONS

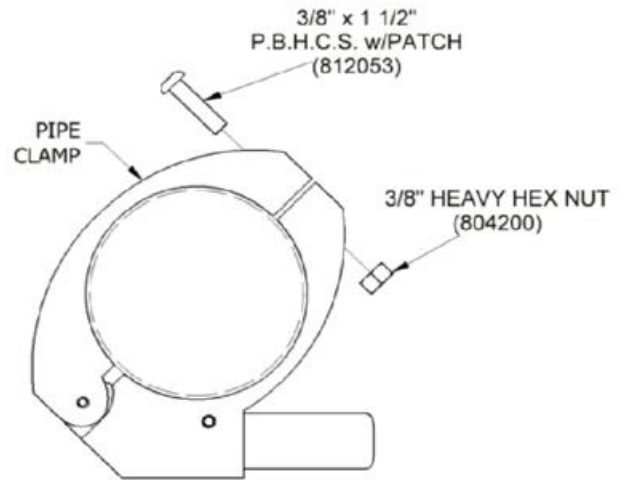
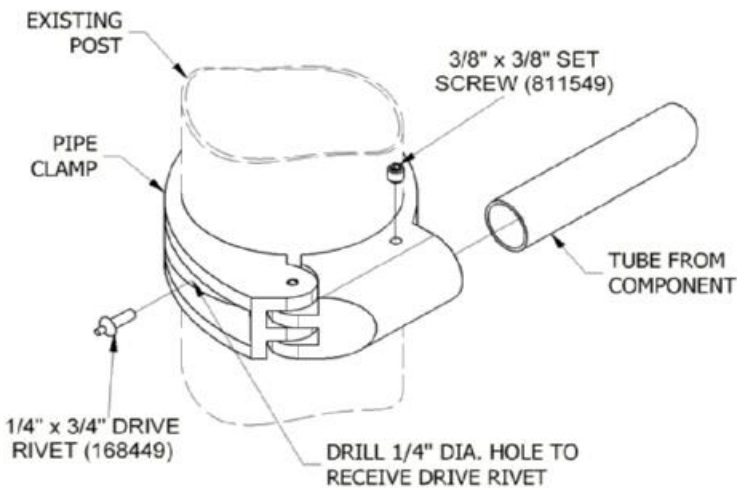
1. Depth of concrete must be 4" minimum with wire mesh reinforcement.
2. Base shall be 3" crushed rock over compacted subgrade.
3. Minimum 7 days cure-full cure after 28 days.
4. Concrete rating shall be 3,000 PSI (minimum), 28 days 3,500 PSI.



DETAIL 3
SIDE VIEW OF
SURFACE MOUNT

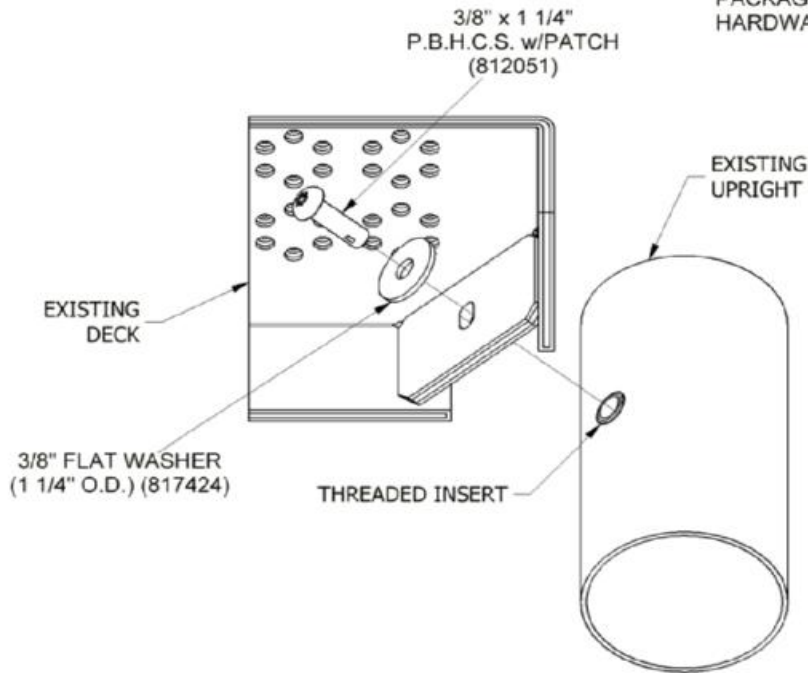
PAGE 2

Clamp Assembly Details



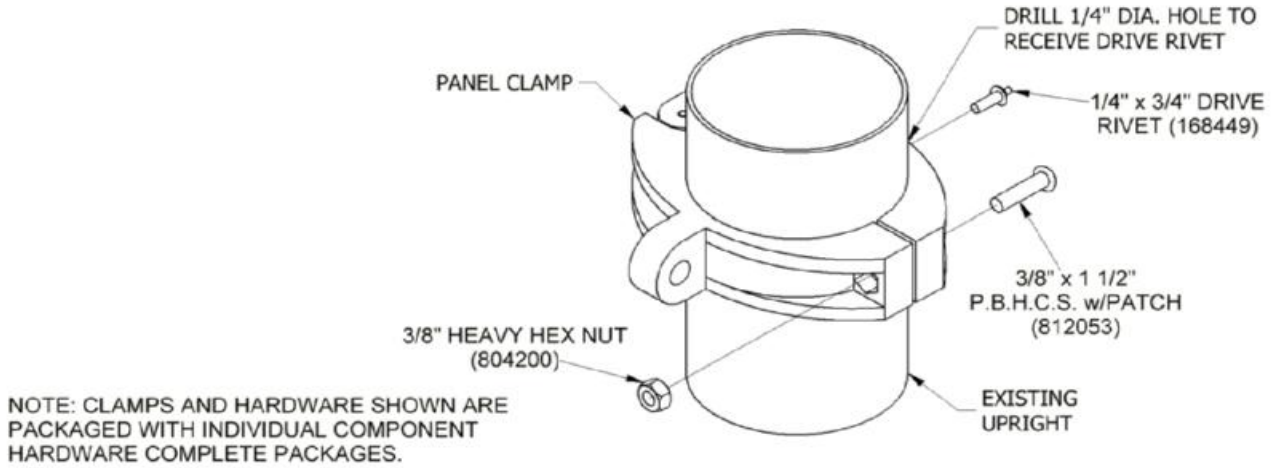
TYPICAL DURAMAX PIPE CLAMP ASSEMBLY

NOTE: CLAMPS AND HARDWARE SHOWN ARE PACKAGED WITH INDIVIDUAL COMPONENT HARDWARE COMPLETE PACKAGES.

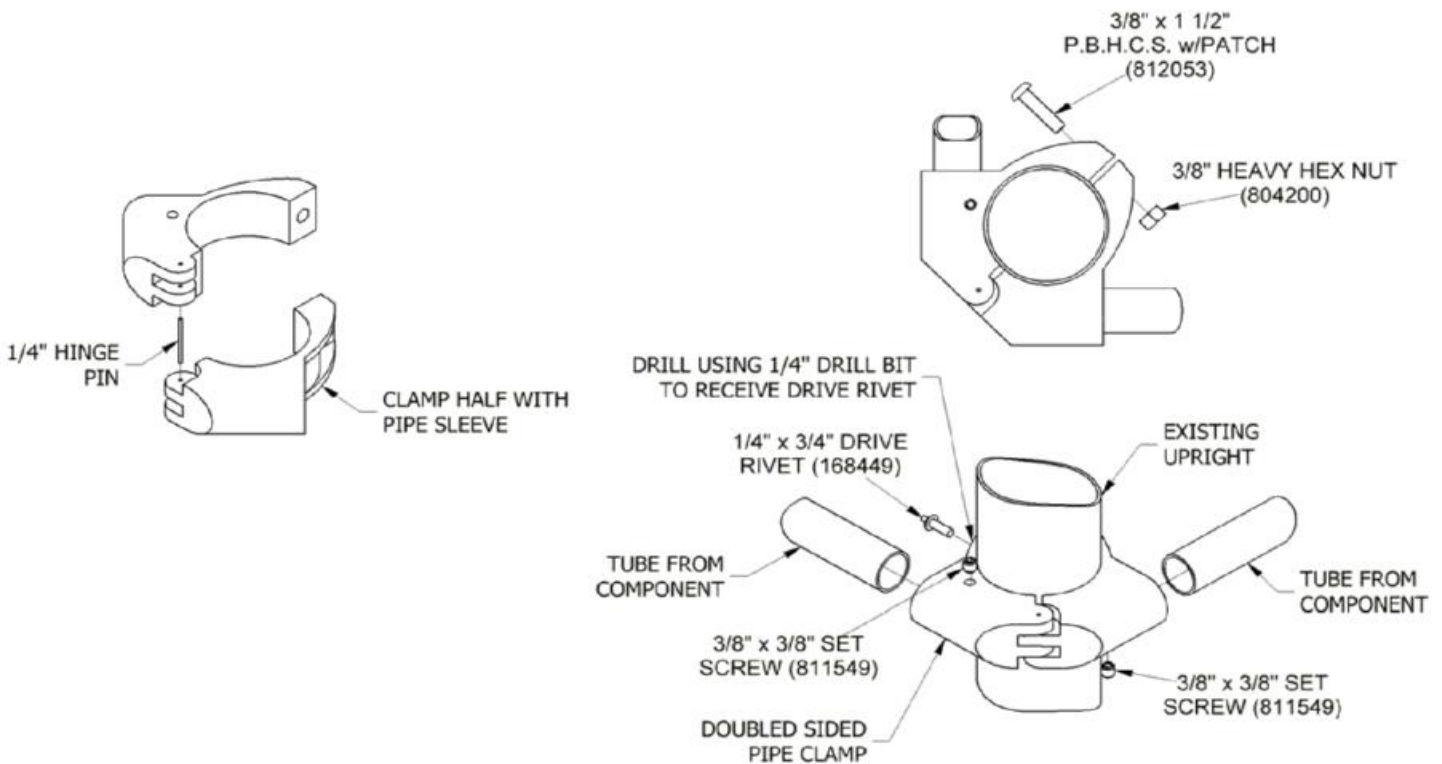


TYPICAL DURAMAX DECK CONNECTION

Clamp Assembly Details



TYPICAL DURAMAX PANEL CLAMP ASSEMBLY



DURAMAX APPLICATION: To attach two components at 90 degrees to each other on the same square deck. Use when clamp conflicts do not allow you to use separate clamps for each component.

ASSEMBLY INSTRUCTIONS: Use two regular Pipe Clamps and remove hinge pins. Select clamps with pipe sleeves to create the Double Sided Pipe Clamp. Insert hinge pin back into clamps as shown above.

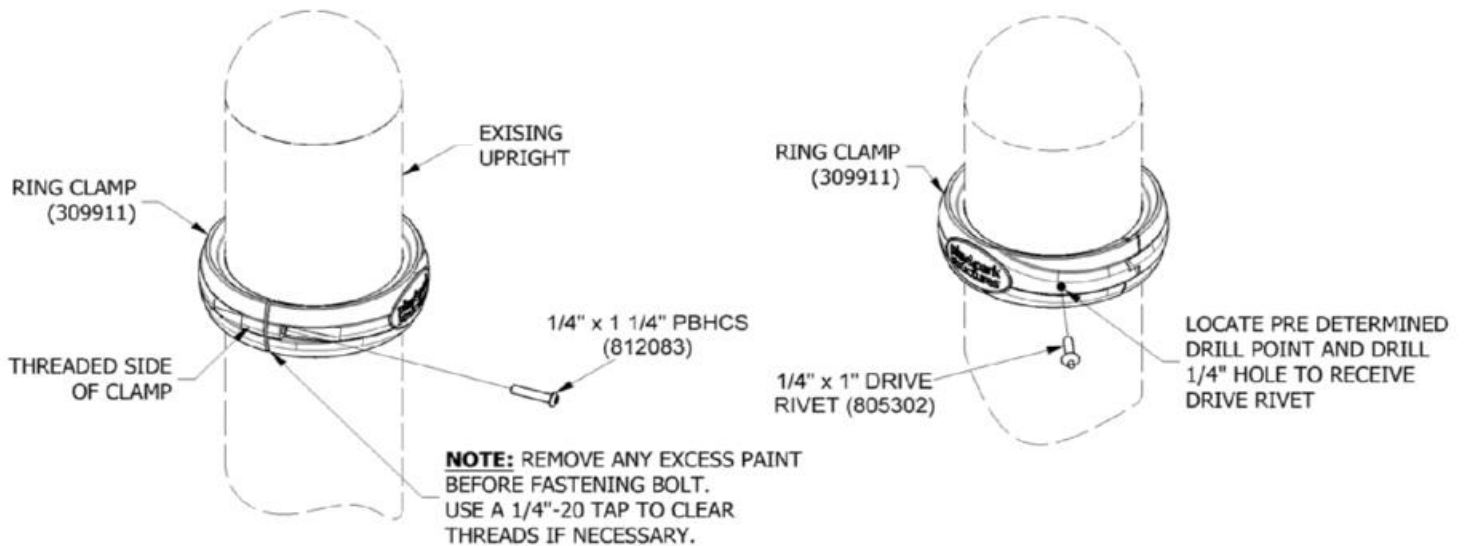
TYPICAL DURAMAX DOUBLE SIDED PIPE CLAMP ASSEMBLY

Issued/Revised: 4/4/2016

SHEET 2 OF 2

SUPERmax Clamp Assembly Details

PLAY SYSTEMS



NOTE: THE USE OF LOCTITE IS IMPORTANT.

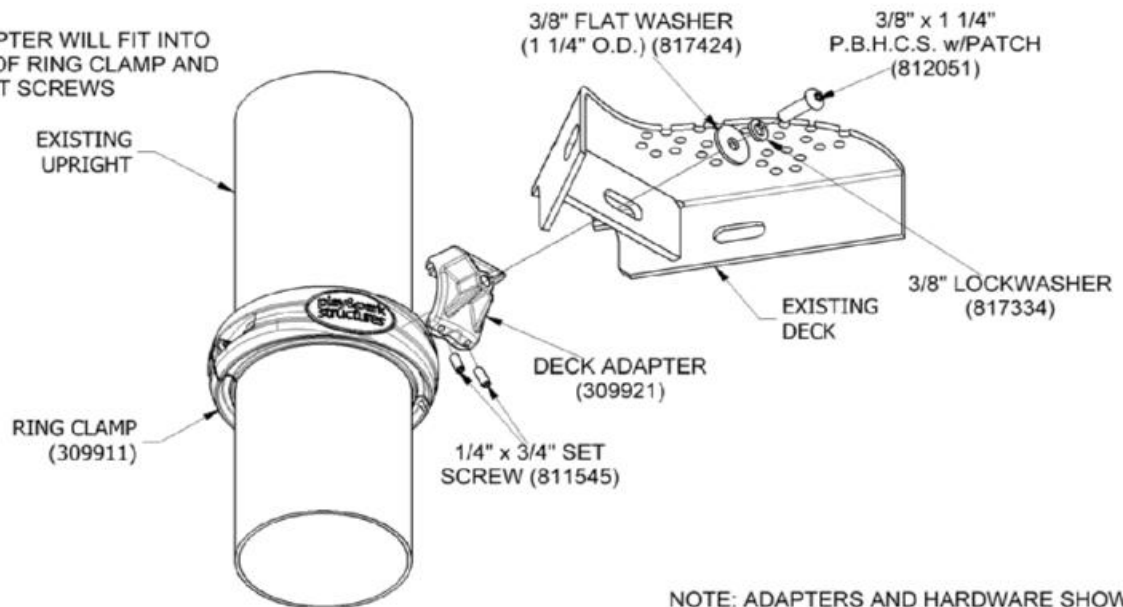
IMPORTANT: ORIENTATION OF BOLT IS CRITICAL.

NOTE: THE RING CLAMP WILL HAVE A SMALL GAP AT THE CONNECTION POINT AFTER ATTACHED. THE GAP IS DESIGNED FOR DRAINAGE AND TO ENSURE A PROPER FIT.

NOTE: MAKE SURE THE LOGO IS ORIENTED CORRECTLY AND VISIBLE FROM GROUND LEVEL.

TYPICAL SUPERMAX RING CLAMP ASSEMBLY

NOTE: DECK ADAPTER WILL FIT INTO GROOVE IN TOP OF RING CLAMP AND SECURE WITH SET SCREWS



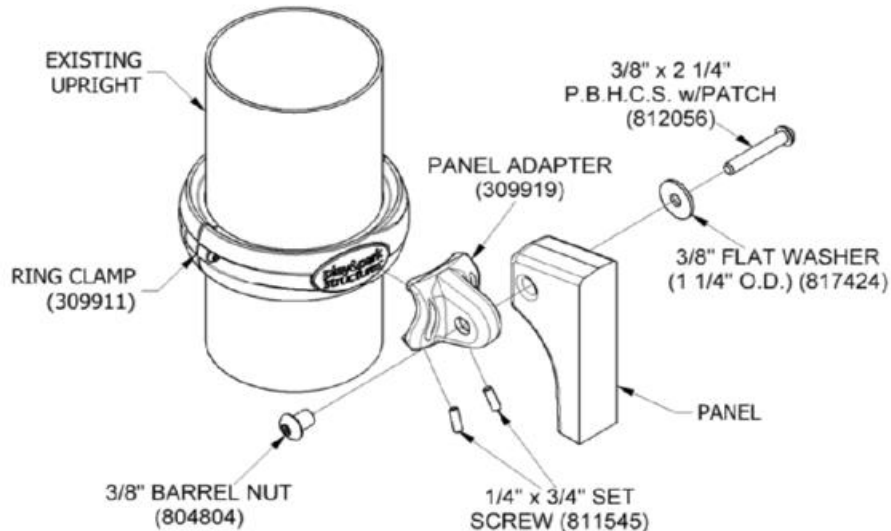
NOTE: ADAPTERS AND HARDWARE SHOWN ARE PACKAGED WITH INDIVIDUAL COMPONENT HARDWARE COMPLETE PACKAGES

Issued/Revised: 4/11/2016

TYPICAL SUPERMAX DECK CONNECTION

SHEET 1 OF 2

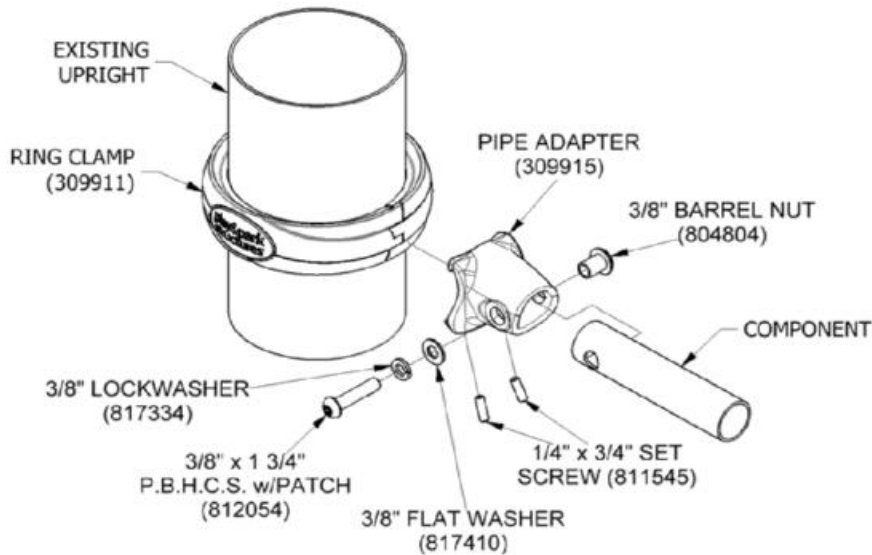
Clamp Assembly Details



NOTE: PANEL ADAPTER WILL FIT INTO GROOVE IN TOP OF RING CLAMP AND SECURE WITH SET SCREWS.
PANEL MUST ATTACH TO THE DECK SIDE OF THE ADAPTER.

TYPICAL SUPERMAX PANEL ADAPTER ASSEMBLY

NOTE: PIPE ADAPTER WILL FIT INTO GROOVE IN TOP OF RING CLAMP AND SECURE WITH SET SCREWS.



TYPICAL SUPERMAX PIPE ADAPTER ASSEMBLY

PLAYGROUND MAINTENANCE CHECKLIST



Maintaining your playground equipment as well as its surrounding area is essential to minimizing the risk of injury to users as well as maximizing its useful lifespan. BYO Recreation recommends the following maintenance procedures be followed:

On a daily basis: A responsible individual should conduct a brief visual check for structural defects, signs of vandalism and litter of foreign matter that needs to be removed.

On a weekly basis: A responsible individual should complete this checklist. Any required repairs should be detailed on the separate **Detailed Maintenance Record**, and once they are completed, both should be filed for future reference. A separate file and form should be kept for each play structure at each location.

IMPORTANT: Always refer to - and comply with - the separate Safety Guidelines and ASTM and CPSC Guidelines. The play structure(s) should be barricaded so that it cannot be used while repairs are being completed.

	Item to be Checked <small>(use the following page to record a brief description of the necessary repairs)</small>	OK	Repairs Required	Date Repaired
A.	Play Structures in General			
	Post and component footings are not exposed, cracked or loose			
	1. Clamps show no signs of slippage, cracking, or failure			
	2. Clamp drive rivets and hardware are secure			
	3. Welds are intact and free of cracks			
	a. Slide and Deck Enclosures			
	b. Overhead Activities			
	c. Climbers			
	4. No rust or corrosion			
	5. No splintered, cracked, gouged or otherwise deteriorated plastics; check for integrity of the plastic, keep plastic clean of any extraneous substances, verify that any deformation does not create an entrapment as specified on ASTM-F-1487 section 6.			
	6. No scratched, chipped, or peeling paint			
	7. Metal parts show no visible cracks, bending, warping or breakage			
	8. No missing bolts, nuts, etc.			
	9. All bolts, nuts, and fasteners are tight			
	10. All joints are secure (pay special attention to sectional slides, flush mounted decks, and pipe connections)			
	11. All swivels, bearings, grease fittings, and moving parts are well lubricated and not excessively worn (pay special attention to tire swings, tot swings, strap swings, track rides, and trapeze rings)			
	12. No broken or missing parts			
	13. No sharp edges or unsafe protrusions (check metal corners, bolts, etc.)			
	14. No exposed mechanisms, junctions of moving parts or components that will pose possible pinch or crush points			
B.	Play Events			
	1. Plastic is not cut or cracked			
	2. All slide supports/anchors are intact and secure			
	3. All 'S' hooks are closed and not excessively worn			
	4. Clatter bridge chain and connections are not excessively worn, especially at connection points			
	5. Connectors and Chain have free movement			
C.	Surrounding Area			
	1. Resilient surfacing material is not scattered or excessively worn			
	2. Resilient surfacing material is adequately deep and retains its fall absorbing abilities as specified at the time of installation			
	3. Border around playground is in good condition and has not come loose			
	4. No roots, rocks, or other objects that may cause a tripping or injury hazard			
	5. Area is clean of litter (no broken glass or bottles, etc.)			

MODEL NO. 60919 ZIG ZAG ADAPTER

PARTS LIST

REF NO.	DESCRIPTION	No. REQ'D	PART NUMBER
	Hardware Complete	1	305846
1	Zigzag	2	305847*
	3/8" x 1/2" P.B.H.C.S. w/Patch	2	812049*
	3/8" x 3/4" P.B.H.C.S. w/Patch	4	812052*
	3/8" x 1" P.B.H.C.S. w/Patch	2	812050*
	3/8" Flat Washer	4	817410*
	3/8" Flat Washer (1 1/4" O.D.)	2	817424*
	3/8" Barrel Nut	4	804804*
	3/8" Lock Nut	2	804353*
	3/8" Tee Nut	2	804556*
	1/2" Flatwasher	2	817412*

*Unless Otherwise Specified, All Units of Measure are Each
* Included in Hardware*

Warning: Small parts and hardware items may present a potential choking hazard. Promptly remove all unused parts from play area. Any bolt end protruding more than two full threads beyond the face of the nut causes risk of clothing entanglement. Promptly cut-off flush, file smooth, and treat to prevent corrosion.

Note: Peen Tee-Nuts and Flatwashers to match radius of pipe after assembly is complete.

Note: Loctite (supplied by others) should be used on any non-patch hardware.

MODEL NO. 60919 ZIG ZAG ADAPTER

SPECIFICATIONS:

Zigzag Adapter is made from 3/16" Thick H.R. Steel.

INSTALLATION INSTRUCTIONS

The Zigzag is a piece of hardware designed to avoid clamp conflicts. It has been designed and tested particularly for the use on Deck Clamps, HDPE Panels, Decks, and Barriers that attaches to Decks with Tabs. Important: Do not use The Zigzag with Pipe Clamps and Deck Clamps altogether. There are three types of connections that have been tested: Panel-to-Panel Clamp, Panel To Deck, and Barrier Tab to Deck. Avoid the use of the Zigzag on places where its use has not been intended.

HDPE PANEL TO PANEL CLAMP

1. Attach Zigzag onto a Panel Clamp using 3/8" x 3/4" P.B.H.C.S. w/patch, 3/8" Flat Washer, and 3/8" Barrel Nut. See Detail 058.
2. Attach HDPE Panel onto Zigzag using 3/8" x 3/4" P.B.H.C.S. w/patch, 3/8 Flat Washer, and 3/8" Barrel Nut. See Detail 058.

HDPE PANEL TO DECK

1. Attach Zigzag onto a Deck using 3/8" x 1" P.B.H.C.S. w/patch, 3/8" Flat Washer, and 3/8" Lock Nut. See Detail 059.
2. Attach HDPE Panel onto Zigzag using 3/8" x 3/4" P.B.H.C.S. w/patch, 3/8 Flat Washer, and 3/8" Barrel Nut. See Detail 059.

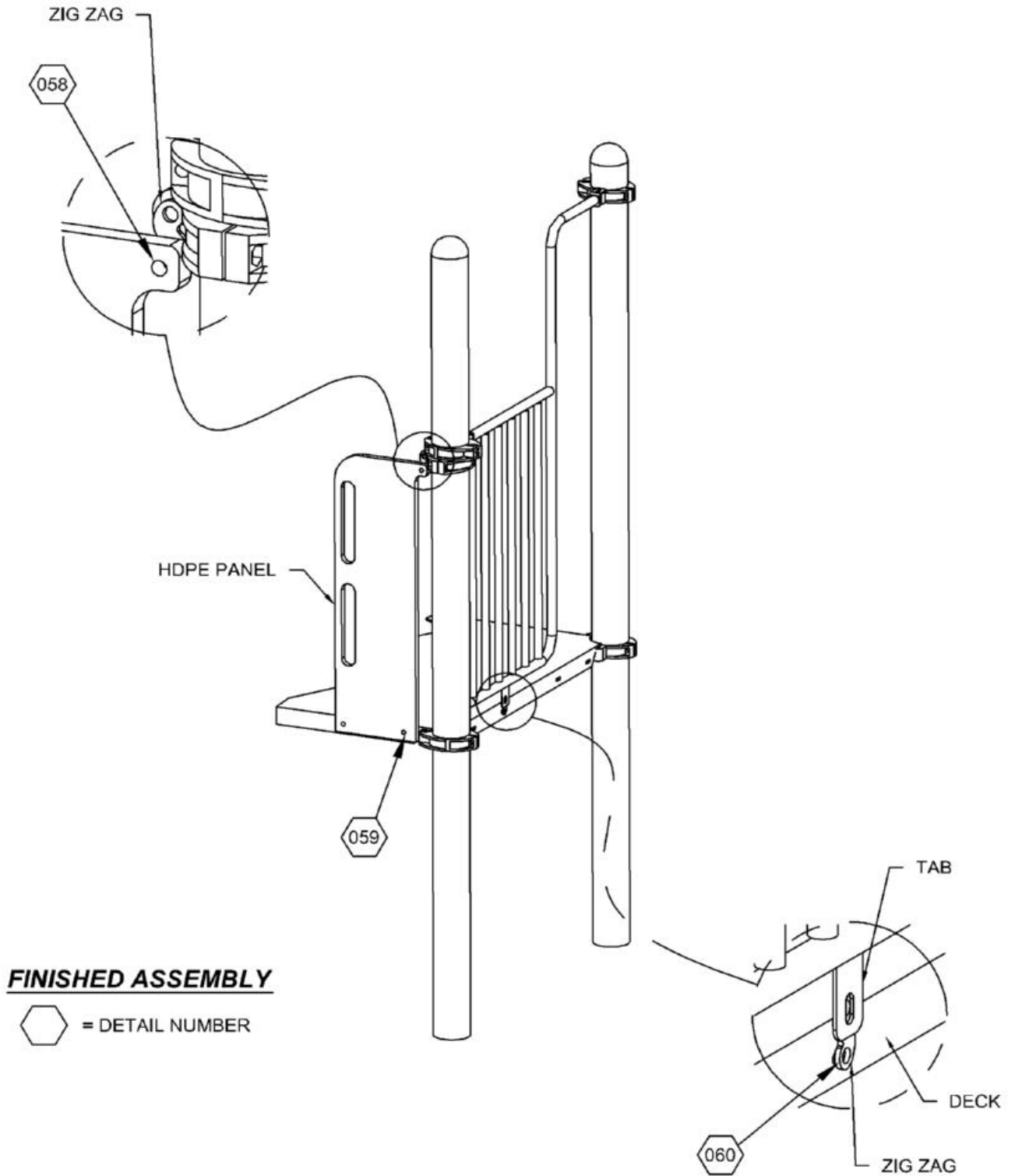
BARRIER TAB TO DECK

1. Attach Zigzag onto a Deck using 3/8" x 1" P.B.H.C.S. w/patch, 3/8" Flat Washer, and 3/8" Lock Nut. See Detail 060.
2. Attach Barrier Tab onto Zigzag using 3/8" x 1/2" P.B.H.C.S. w/patch and 3/8" Flat Washer and fastening the opposite side with a 3/8" Tee Nut and a 1/2" Flat Washer. See Detail 060.

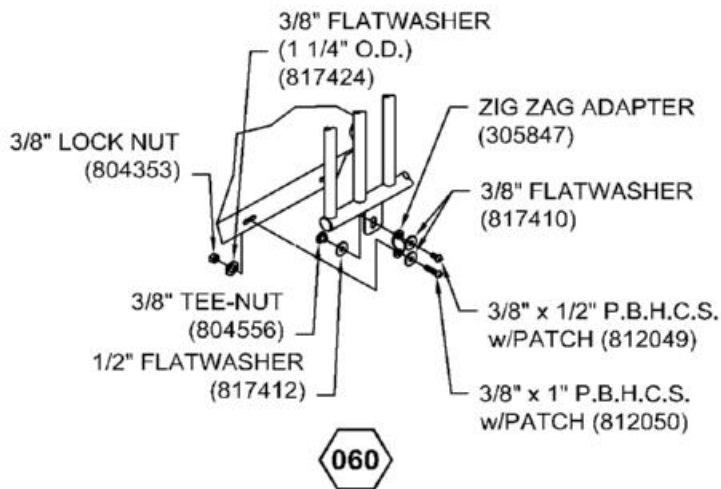
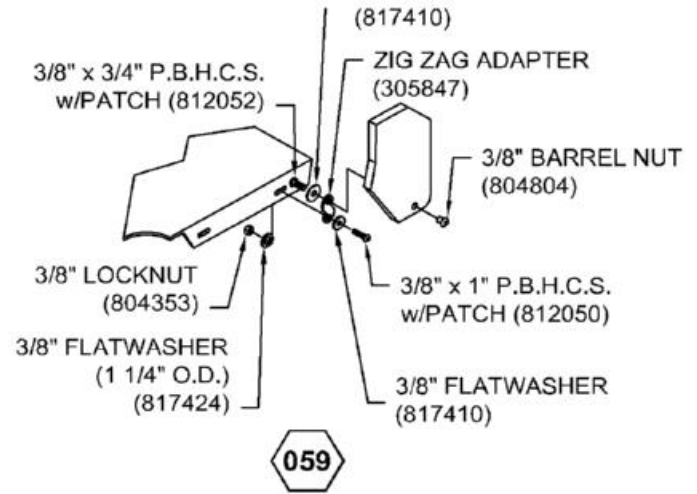
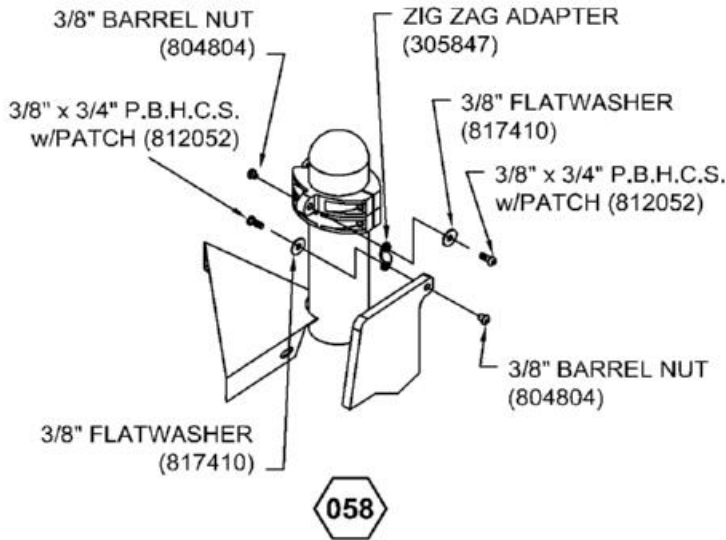
MAINTENANCE PROCEDURE:

Periodically check hardware for tightness, and tighten as necessary. Always check parts for breakage or wear, and immediately put equipment out of service until any faulty parts are repaired or replaced. Check for rust, paint loss, and touch up if necessary with paint. Check for welded areas and verify integrity. Check all decks for peeling of Plastisol coating and touch up with Plastisol if necessary. Check for obstructed holes on deck, clean if necessary. Check for openings on plastic junctions and use clear silicone to fill. Check for cracks, gouges, or breakage on plastic. Check for integrity of plastic and keep plastic keep of any extraneous substances. Verify that any deformation does not create entrapment as specified on ASTM F1487 section 6. Periodically check resilient surfacing for appropriate depth, and remove extraneous materials that could cause injury, infection, or disease. Maintain detailed installation, inspection, maintenance, and repair records for each public-use playground equipment.

MODEL NO. 60919 ZIG ZAG ADAPTER



MODEL NO. 60919 ZIG ZAG ADAPTER



Duramax

62168 PLAYWHEEL FOR 3 1/2" O.D. POST

PARTS LIST

DESCRIPTION	No. REQ'D	PART NUMBER
Steering Wheel Assembly	1	306869
3 1/2" O.D. Half Clamp	2	301765
<i>Hardware Complete</i>	1	178780
1/4" x 3/4" Drive Rivet	2	168449*
3/8" Flat Washer	4	817410*
3/8" Heavy Hex Nut	4	804200*
1/4" x 1/2" Drive Rivet	1	805301*
3/8" x 1 1/2" P.B.H.C.S. w/ Patch	4	812053*

*Unless Otherwise Specified, All Units of Measure are Each
Included in Hardware

Warning: *Small parts and hardware items may present a potential choking hazard. Promptly remove all unused parts from play area. Any bolt end protruding more than two full threads beyond the face of the nut causes risk of clothing entanglement. Promptly cut-off flush, file smooth, and treat to prevent corrosion.*

Note: *Peen Tee-Nuts and Flatwashers to match radius of pipe after assembly is complete.*

Note: *Loctite (supplied by others) should be used on any non-patch hardware.*

INSTALLATION INSTRUCTIONS:

1. Attach Steering Wheel to a pre-existing Upright Post using Half-Clamp, 3/8" x 1-1/2" P.B.H.C.S. w/ Patch with 3/8" Flat Washers and 3/8" Heavy Hex Nuts as shown in the assembly diagram.
2. When the assembly is finished and satisfactory, install Drive Rivets in all clamps to ensure clamps cannot slide down posts. Also eliminate sharp points and sharp edges (burring) on installed hardware like bolts, nuts, etc. See Clamp sub-assembly sheet. ***It is very important that all Drive Rivets be installed before allowing use of the equipment, as clamps are not designed to support substantial weight without them.*** Install resilient surfacing material within the *use zone* of play structure in accordance with ASTM specifications F1292 appropriate for the fall height of each structure. Refer to the *Safety Guidelines*.

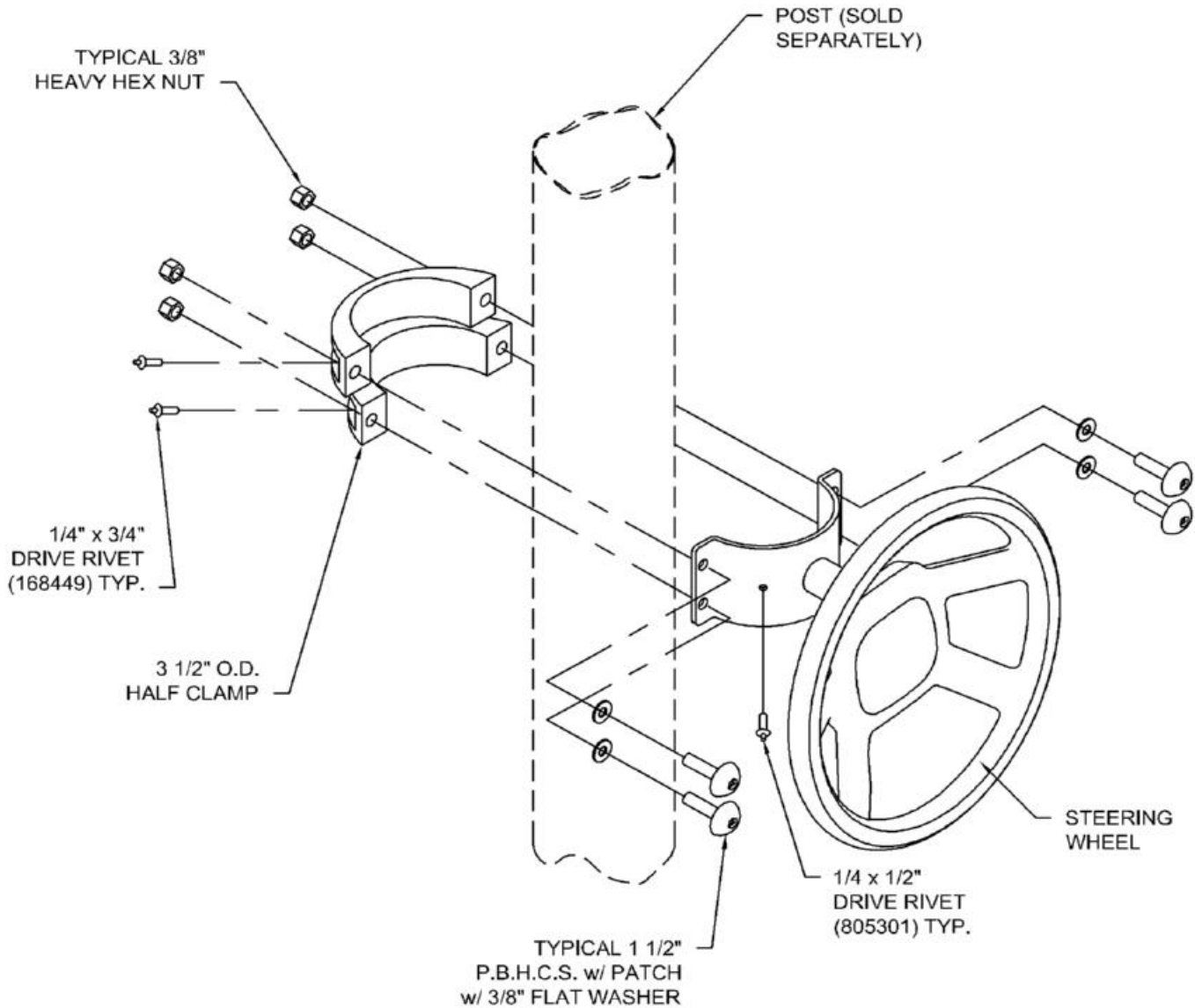
MAINTENANCE PROCEDURE:

Periodically check hardware for tightness, and tighten as necessary. Always check all parts for breakage or wear, and immediately put equipment out of service until any faulty parts found are repaired or replaced. Also Check all metal parts for rust, paint loss and touch-up if necessary with paint. Check for welded areas and verify integrity. Check periodically resilient surfacing for appropriate depth and remove extraneous materials that could cause injury, infection, or disease. Maintain detailed installation, inspection, maintenance, and repair records for each public-use playground equipment.

Duramax

62168 PLAYWHEEL FOR 3 1/2" O.D. POST

TYPICAL ASSEMBLY



Duramax

62345 RETURN STEP

PARTS LIST

DESCRIPTION	No. REQ'D	PART NUMBER
Return Step	1	306825
Small Kick Plate	1	305741
Support Pipe	2	168470
Hardware Complete	1	307321
3/8" Lock Nut	4	804353*
3/8" Tee Nut	2	804556*
3/8" x 1" P.B.H.C.S. w/Patch	4	812050*
3/8" x 1 3/4" P.B.H.C.S. w/Patch	2	812054*
3/8" Lock Washer	2	817334*
3/8" Flat Washer (1 1/4" O.D.)	10	817424*

*Unless Otherwise Specified, All Units of Measure are Each
Included in Hardware

Warning: Small parts and hardware items may present a potential choking hazard. Promptly remove all unused parts from play area. Any bolt end protruding more than two full threads beyond the face of the nut causes risk of clothing entanglement. Promptly cut-off flush, file smooth, and treat to prevent corrosion.

Note: Peen Tee-Nuts and Flatwashers to match radius of pipe after assembly is complete.

Note: Loctite (supplied by others) should be used on any non-patch hardware.

INSTALLATION INSTRUCTIONS:

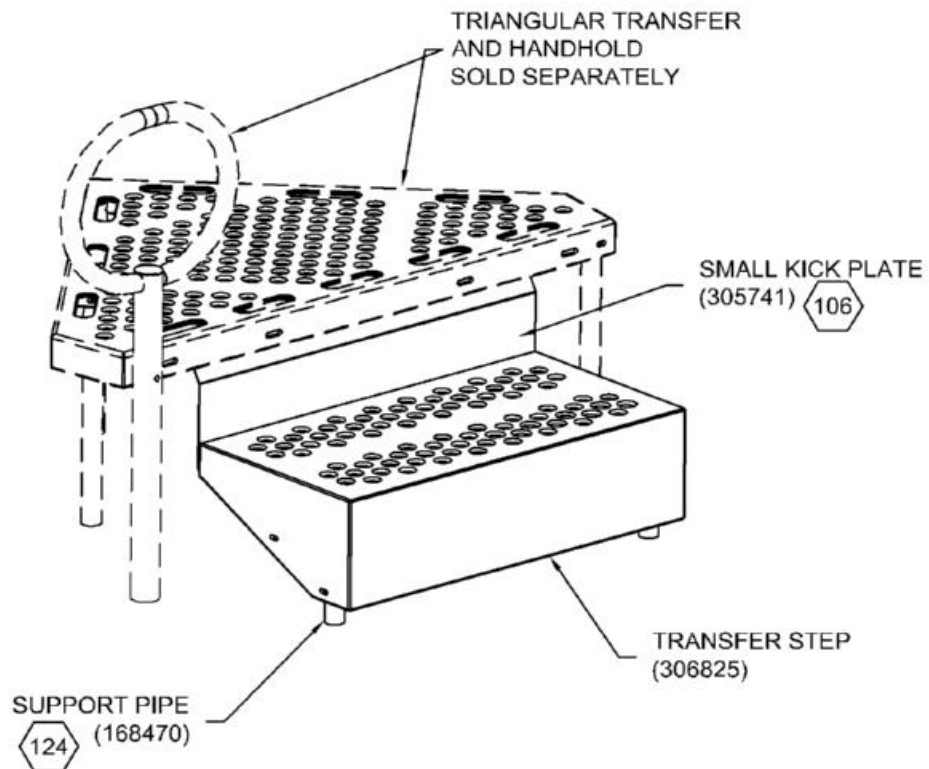
1. Locate the Triangle Transfer Point to attach the Return Step.
2. Dig Holes to receive the Support Pipes according to dimensions shown in Plan View. Footing Dimension is specified in Elevation View.
3. Attach the Small Kick Plate to the Modular Platform using 3/8" x 1" P.B.H.C.S. w/Patch, 3/8" Flat Washer (1 1/4" O.D.) and 3/8" Lock Nut as shown in Detail 106. Note that the Small Kick Plate receded area goes on top and attaches behind deck or platform.
4. Attach the Return Step to the lower part of Small Kick Plate using the same hardware and Detail as in step 3. (Detail 106)
5. Attach the Support Pipes to the lower slots on the sides of the Return Step with 3/8" x 1 3/4" P.B.H.C.S. w/Patch, 3/8" Lock Washer, 3/8" Flat Washer (1 1/4" O.D.), and 3/8" Tee Nut. See Detail 124.
6. Plumb and level the entire assembly. Pour concrete footings within 4" to the top and taper away from supports to allow drainage. Allow to cure at least 48 hours before use.
7. Eliminate sharp points and sharp edges (burring) on installed hardware like bolts, nuts etc. Install resilient surfacing material within the use zone of play structure in accordance with ASTM specifications F1292 appropriate for the fall height of each structure. Refer to the Safety Guidelines.

MAINTENANCE PROCEDURE:

Periodically check hardware for tightness, and tighten as necessary, also check if the entrapments and protrusions still satisfactory. Always check all metal parts for paint peeling, corrosion and touch up if necessary. Check all parts for crack, breakage or wear, and immediately put equipment out of service until any faulty parts found are repaired or replaced. Check periodically resilient surfacing for appropriate depth and remove extraneous materials that could cause injury, infection, or disease. Maintain detailed installation, inspection, maintenance, and repair records for each public-use playground equipment.

Duramax

62345 RETURN STEP

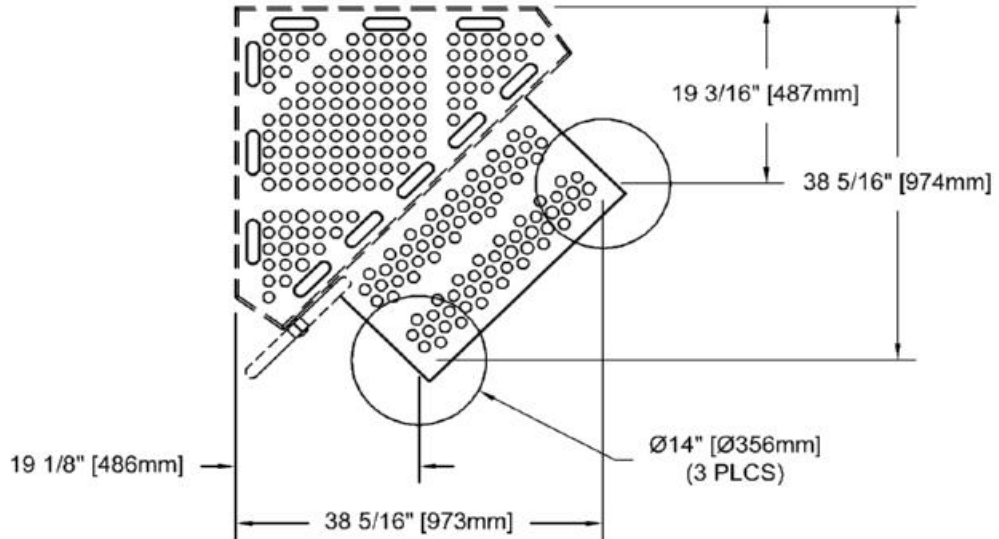


FINISHED ASSEMBLY

 =INSTALLATION DETAIL

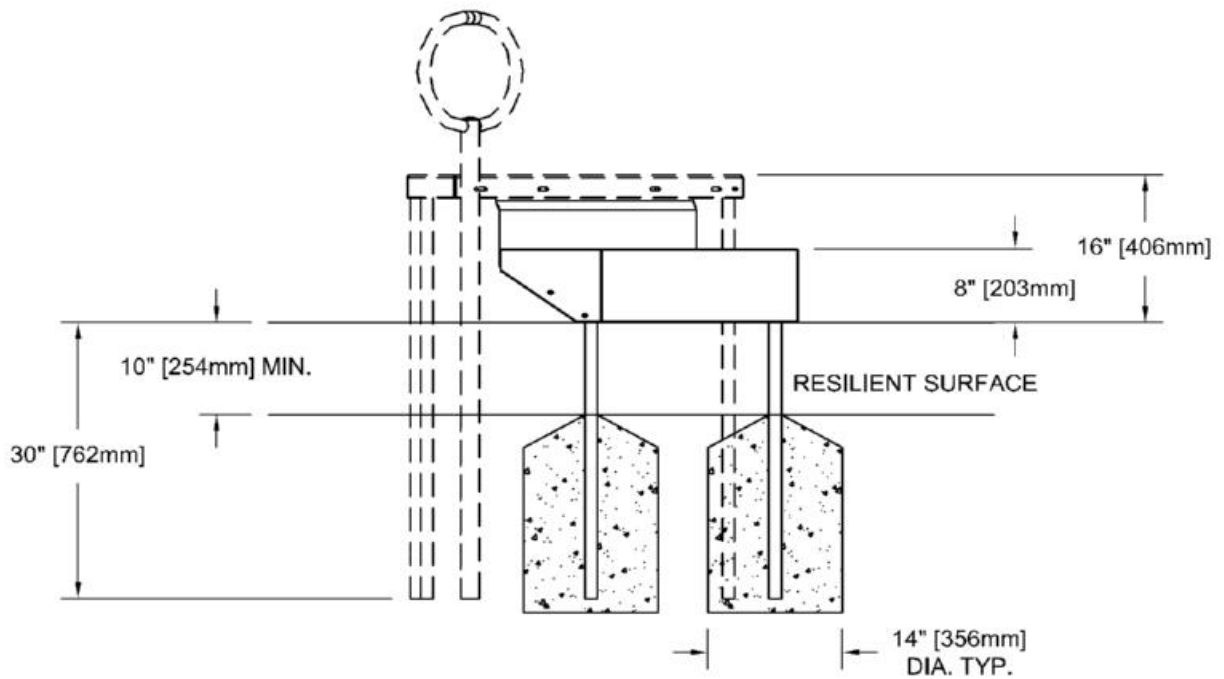
Duramax

62345 RETURN STEP

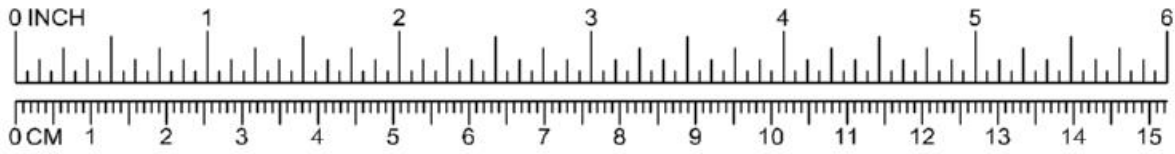


PLAN VIEW

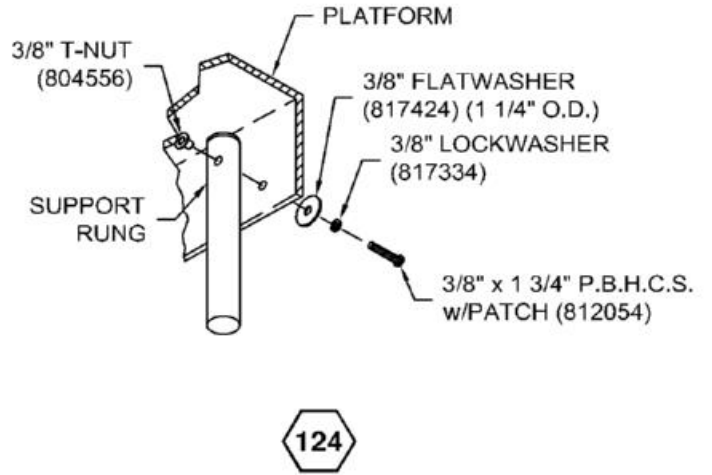
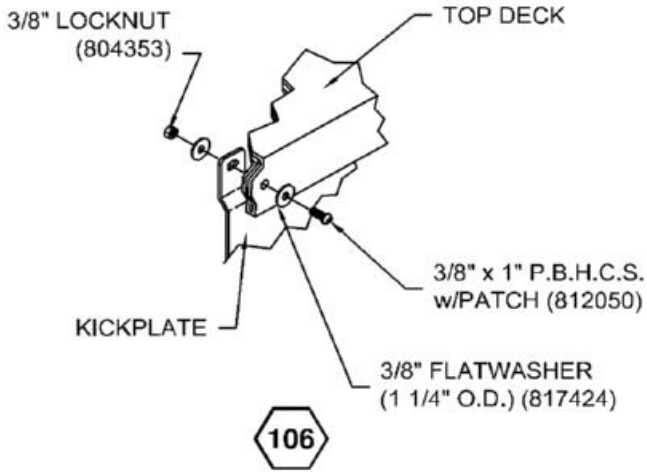
CONCRETE REQUIRED:
.20 CUBIC YARDS
[.15 CUBIC METERS]



ELEVATION VIEW



62345 RETURN STEP



Duramax

62348 Triangle Transfer Point (2'-8")
62349 Triangle Transfer Point (3'-4")
62350 Triangle Transfer Point (4'-0")

Parts List				
DESCRIPTION	62348	62349	62350	PART NUMBER
UPRIGHT ASS'Y	1	1	1	180862
3 1/2' O.D. DECK CLAMP	2	2	2	301731
HAND HOLD ASS'Y	1	1	1	306838
STAIRS (1'-4" RISE)	1	0	0	307252
STAIRS (2'-0" RISE)	0	1	0	307274
STAIRS (2'-8" RISE)	0	0	1	307281
PLATFORM	1	1	1	309853
HANDRAIL	2	0	0	312658
HANDRAIL	0	2	0	312659
HANDRAIL	0	0	2	312662
ATTACHMENT RAIL	2	2	2	312705
HARDWARE COMPLETE	1	1	1	312708
1/4" x 3/4" DRIVE RIVET	2	2	2	168449
3/8" x 3/4" P.B.H.C.S. w/PATCH	3	3	3	812052
3/8" x 1" P.B.H.C.S. w/PATCH	2	2	2	812050
3/8" x 1 1/4" P.B.H.C.S. w/PATCH	2	2	2	812051
3/8" x 1 1/2" P.B.H.C.S. w/PATCH	4	4	4	812053
3/8" x 1 3/4" P.B.H.C.S. w/PATCH	4	4	4	812054
3/8" x 2 1/4" P.B.H.C.S. w/PATCH	1	1	1	812056
3/8" x 2 1/2" P.B.H.C.S. w/PATCH	4	4	4	812057
3/8" LOCK WASHER	12	12	12	817334
3/8" FLAT WASHER	2	2	2	817410
3/8" FLAT WASHER (1 1/4" O.D.)	8	8	8	817424
3/8" HEAVY HEX NUT	2	2	2	804200
3/8" LOCK NUT	4	4	4	804353
3/8" T-NUT	12	12	12	804556
3/8" BARREL NUT	2	2	2	804804
1/2" FLAT WASHER	4	4	4	817412

*Unless Otherwise Specified, All Units of Measure are Each
 Items listed below Hardware Complete line are included with Hardware Complete Number*

Warning: During Installation, Hardware And Small Parts Are Choking Hazards For Young Children. Store Unused Parts Appropriately Until Assembly Is Completed. Once Assembly Is Completed, Remove Any Unused Parts From The Play Environment And Dispose/Save Them In A Secure Location. Any bolt end protruding more than two full threads beyond the face of the nut causes risk of clothing entanglement. Promptly cut-off flush, file smooth, and treat to prevent corrosion.

Note: Peen Tee-Nuts and Flatwashers to match radius of pipe after assembly is complete.

Note: Loctite (supplied by others) should be used on any non-patch hardware.

Duramax

62348 Triangle Transfer Point (2'-8") 62349 Triangle Transfer Point (3'-4") 62350 Triangle Transfer Point (4'-0")

INSTALLATION INSTRUCTIONS:

1. Determine which deck is to receive the Transfer Module, refer to your overhead drawing for location. Dig footing holes at location and depth shown.
2. Loosely attach 3 1/2" O.D. Deck Clamp to Uprights at noted height using Detail 001. Fasten Attachment Rails to the clamp as shown in Detail 043.
3. Attach Upright Assembly to underside of Platform using 3/8" x 3/4" P.B.H.C.S. w/Patch, 3/8" Lock Washer, and 3/8" T-Nuts as shown in Detail 247. Connect Smashed Pipes to bottom edge of the Platform Step using 3/8" x 1" P.B.H.C.S. w/Patch, 3/8" Flat Washers (1 1/4" O.D.), and 3/8" Lock Nuts as shown in Detail 554.
4. Attach the Handhold to side of the Platform using 3/8" x 2 1/4" P.B.H.C.S. w/Patch, 3/8" Lock Washers and 3/8" T-Nuts as shown in Detail 125.
5. Position assembly in dug holes and match holes in Stairs to holes in deck and Platform and fasten as shown in Detail 147 at the deck and Detail 984 at the Platform.
6. Then, placing Handrails into dug holes, Attach Handrails to side of steps using 3/8" x 1 3/4" P.B.H.C.S. w/Patch, 3/8" Lock Washers, 1/2" Flat Washers, and 3/8" T-Nuts as shown in Detail 599 and attach to Attachment rails using 3/8" x 2 1/2" P.B.H.C.S. w/Patch, 3/8" Lock Washers, 1/2" Flat Washers, and 3/8" T-Nuts as shown in Detail 145.
7. When the entire assembly is plumb and level, tighten all fasteners and pour concrete footings within 4" to the top and taper away from support posts to allow water drainage. Allow to cure at least 48 hours before use.

IMPORTANT! Avoid creating any gaps between the components which fall between 3-1/2" and 9". It has been shown that such gaps create entrapment points which can trap a child and cause injury.

When the structure is finished and satisfactory, install Drive Rivets in all clamps to ensure clamps cannot slide down posts. See Ring Clamp subassembly sheets. **It is very important that all Drive Rivets be installed prior to allowing use of the equipment, as clamps are not designed to support substantial weight without them.** Install resilient surfacing material within the use zone of play structure in accordance with ASTM specifications F1292 appropriate for the fall height of each structure. Refer to the *Safety Guidelines*. Eliminate sharp points and sharp edges (burring) on installed hardware like bolts, nuts, etc.

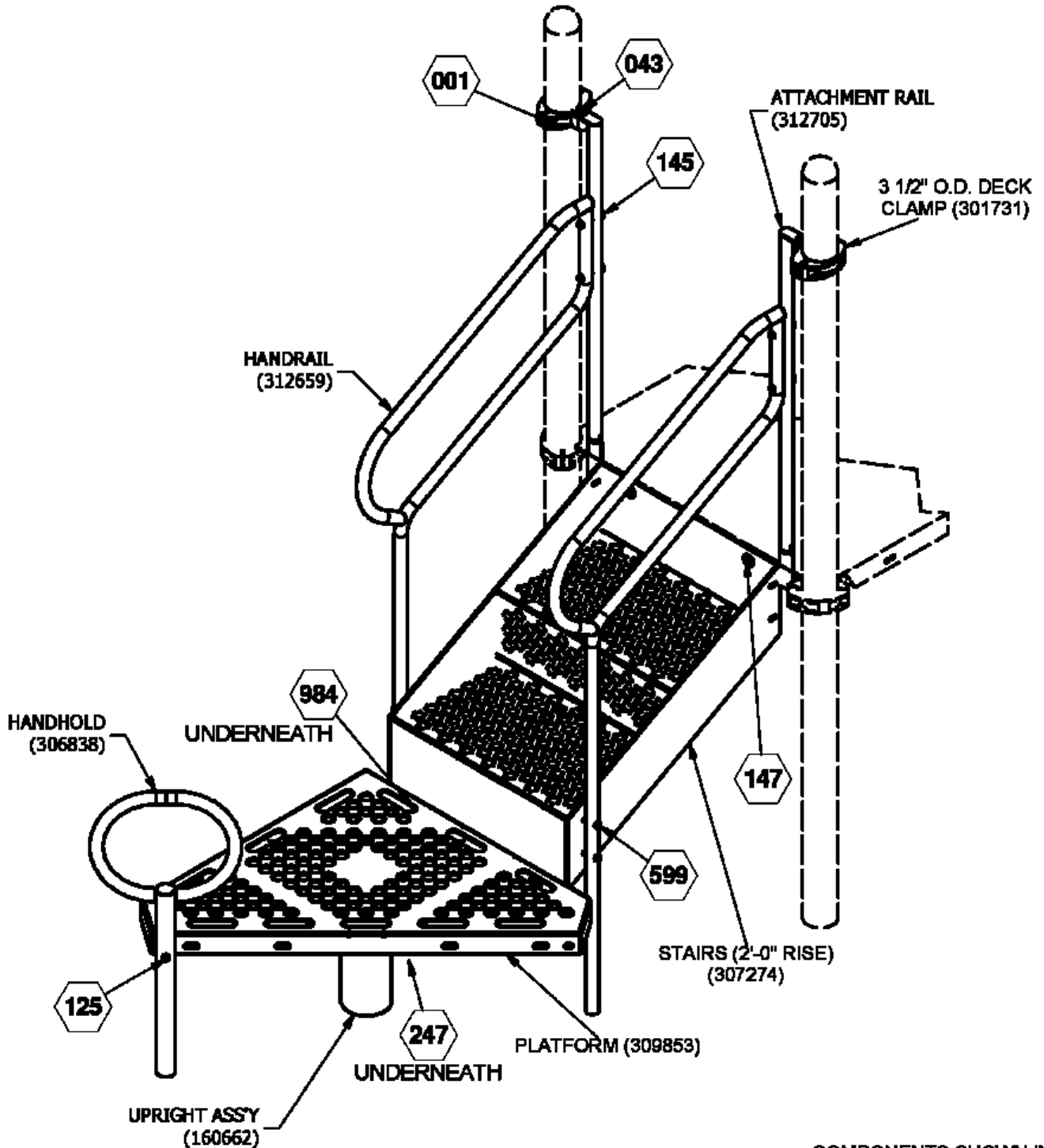
Note: To cushion accidental falls by children, Park Structures strongly recommends that the area under and around the play structure must be covered with a resilient material, such as sand, mulch, etc., to a minimum depth of 10" for sand. Approved rubber safety matting can also be used. For details, please refer to your *Safety Guidelines*, provided within the assembly instruction packet.

MAINTENANCE PROCEDURE:

Periodically check hardware for tightness, and tighten as necessary. Always check all parts for breakage or wear, and immediately put equipment out of service until any faulty parts found are repaired or replaced. Also Check all metal parts for rust, paint loss and touch-up if necessary with paint. Check for welded areas and verify integrity. Check periodically resilient surfacing for appropriate depth and remove extraneous materials that could cause injury, infection, or disease. Maintain detailed installation, inspection, maintenance, and repair records for each public-use playground equipment.

Duramax

62348 Triangle Transfer Point (2'-8")
62349 Triangle Transfer Point (3'-4")
62350 Triangle Transfer Point (4'-0")



 = INSTALLATION DETAIL

Issued/Revised: 2/22/2019

FINISHED ASSEMBLY
62349 SHOWN

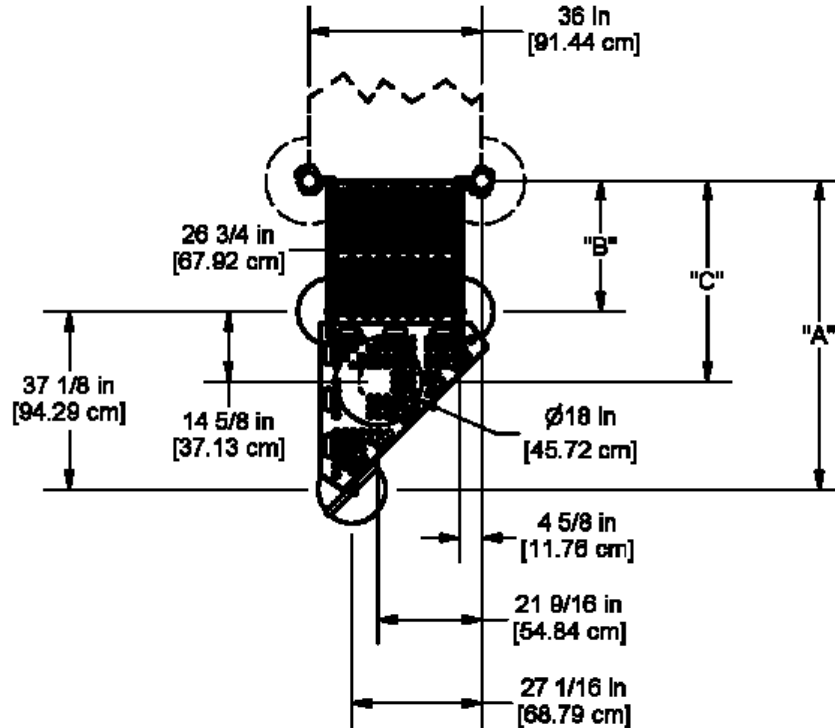
COMPONENTS SHOWN IN
HIDDEN LINES ARE SOLD SEPARATELY

SHEET 3 OF 6

Duramax

62348 Triangle Transfer Point (2'-8")
 62349 Triangle Transfer Point (3'-4")
 62350 Triangle Transfer Point (4'-0")

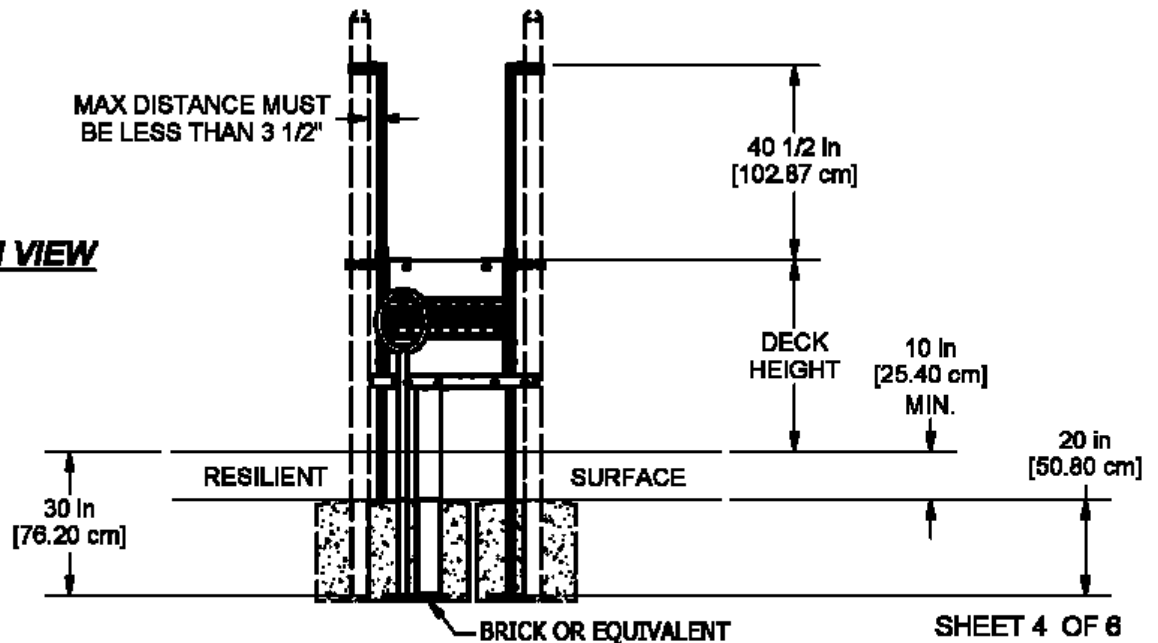
PLAN VIEW

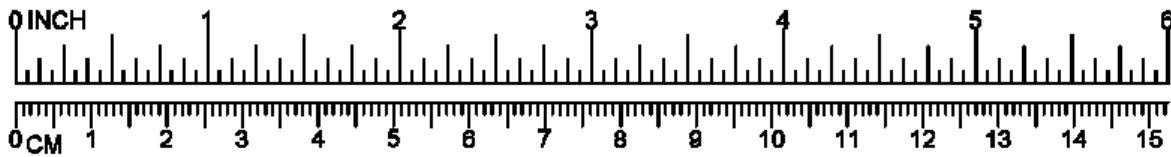


Dimension Table

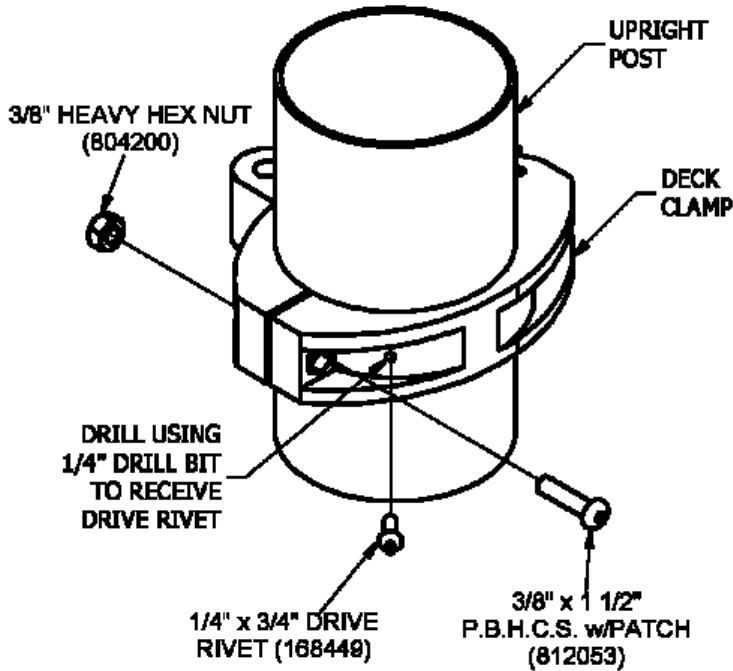
Product	Deck Height	Dim. A	Dim. B	Dim. C
62348	32 in [cm]	49 5/8 in [126.05 cm]	12 1/2 in [31.67 cm]	27 1/8 in [68.89 cm]
62349	40 in [cm]	64 5/16" [163.37 cm]	27 3/16 in [68.99 cm]	41 13/16 in [106.21 cm]
62350	48 in [121.92 cm]	79 in [200.68 cm]	41 13/16 in [106.27 cm]	56 1/2 in [143.52 cm]

ELEVATION VIEW

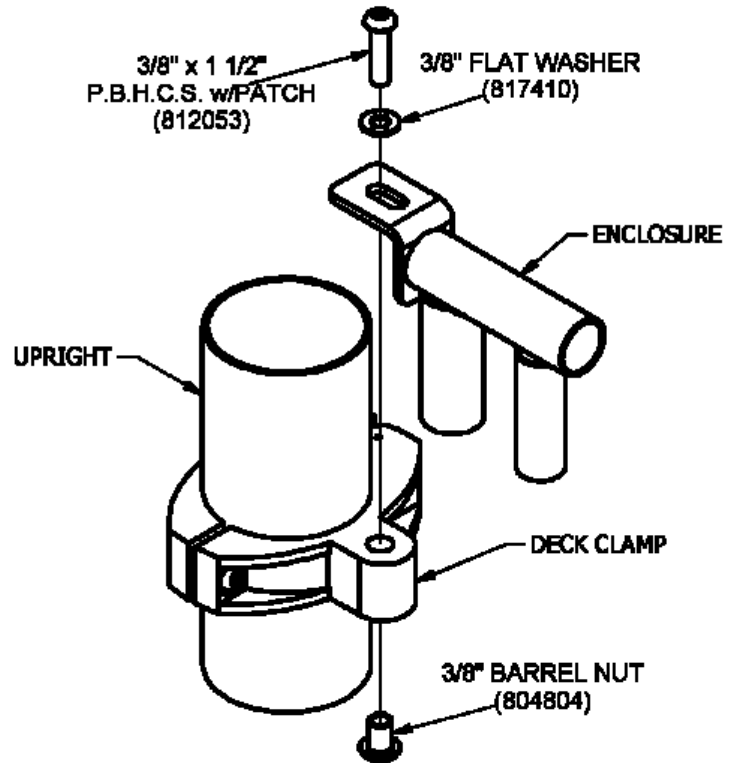




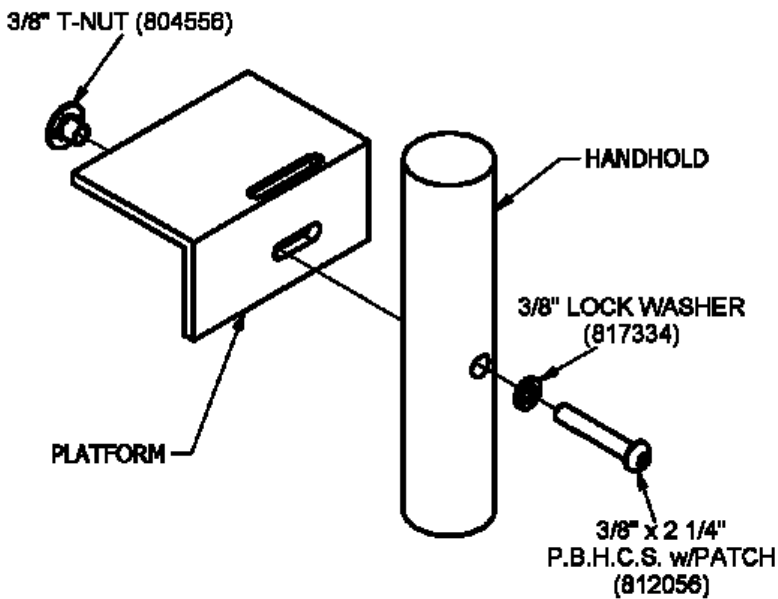
62348 Triangle Transfer Point (2'-8")
62349 Triangle Transfer Point (3'-4")
62350 Triangle Transfer Point (4'-0")



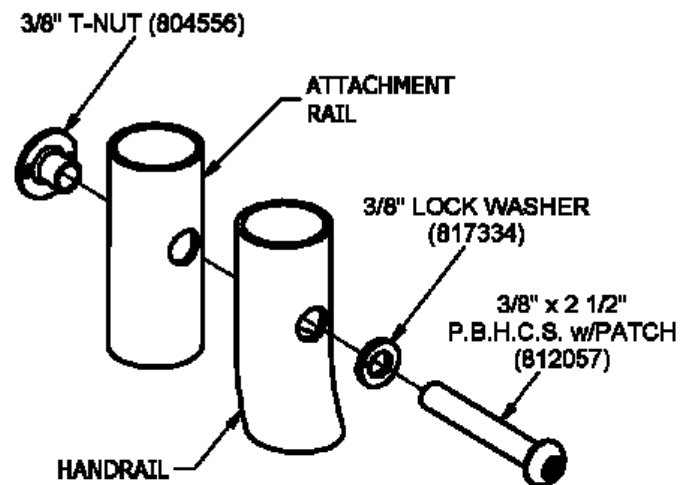
001



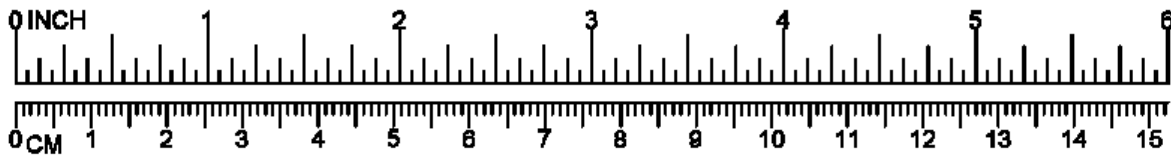
043



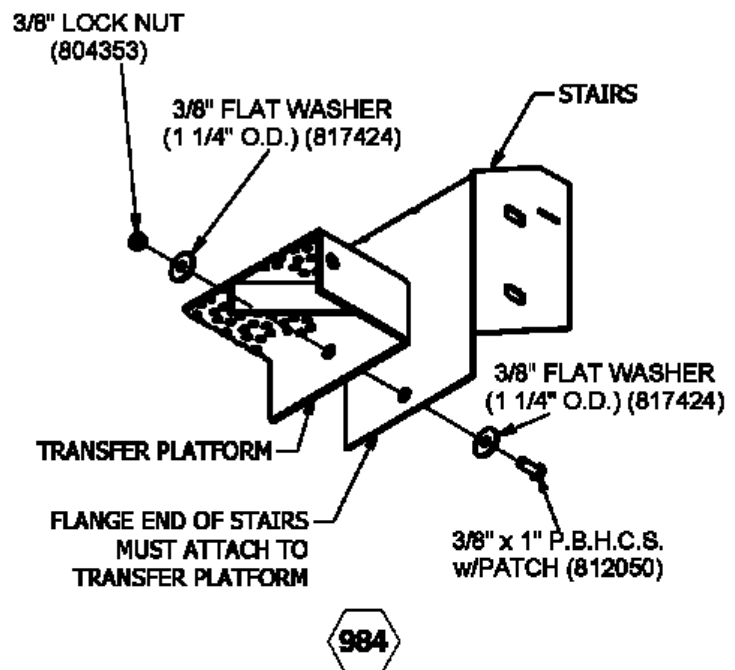
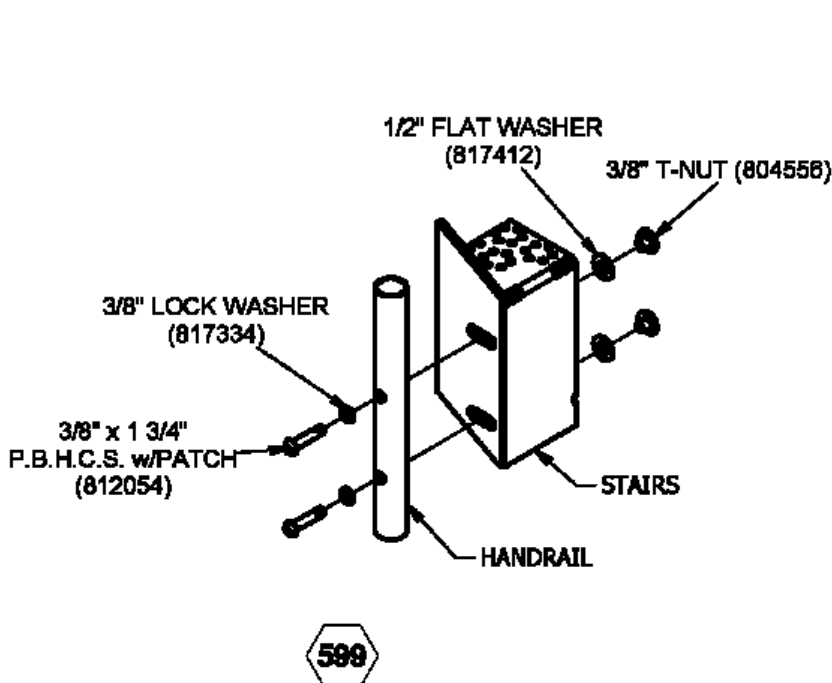
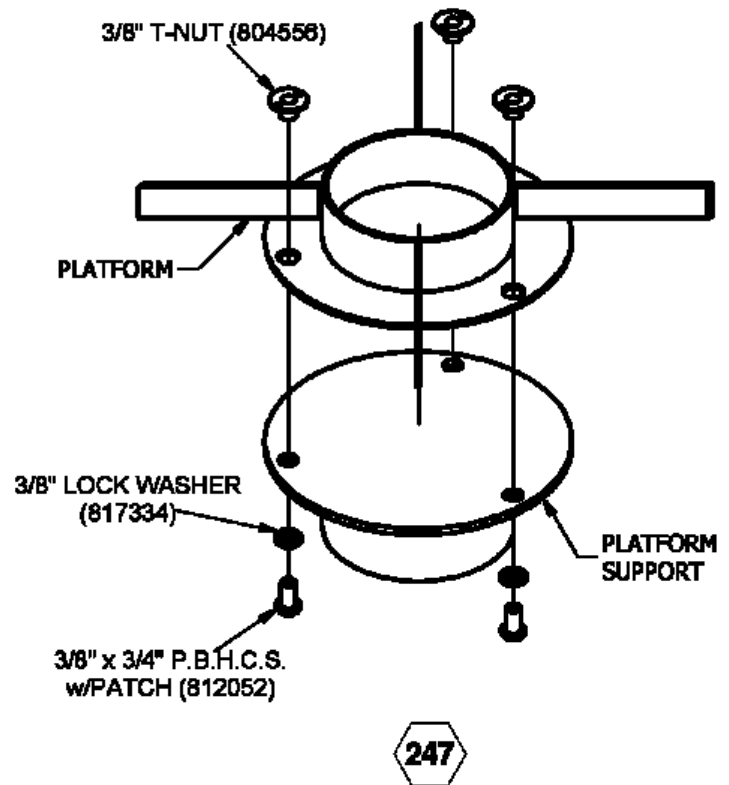
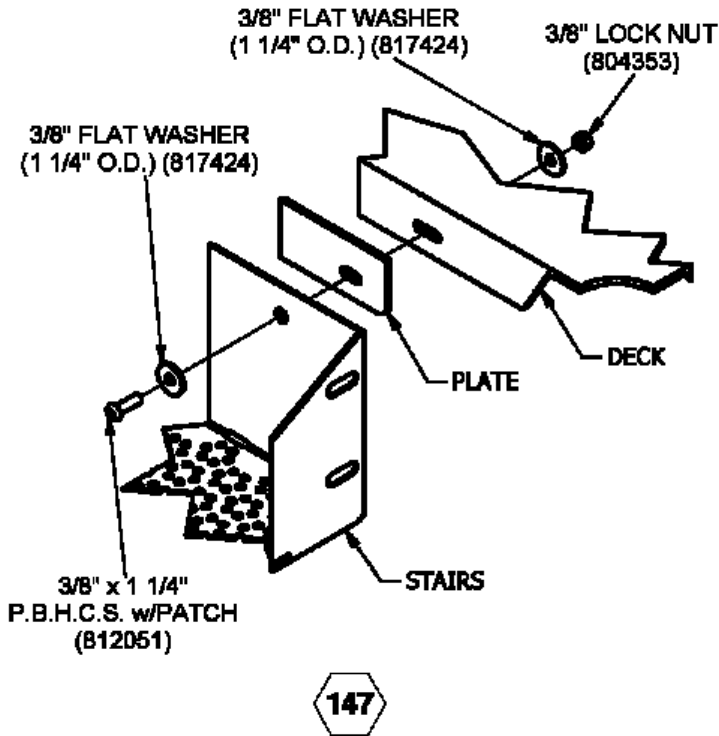
125



145



62348 Triangle Transfer Point (2'-8")
62349 Triangle Transfer Point (3'-4")
62350 Triangle Transfer Point (4'-0")



68506 2'-8" SINGLE SPEEDWAY WAVE SLIDE

Parts List		
DESCRIPTION	QTY	PART NUMBER
FOOTBUCK	1	176384
2'-8" SINGLE SPEEDWAY WAVE SLIDE	1	176399
3 1/2" O.D. PIPE CLAMP	2	301727
SLIDE HOOD	1	311241
HOOD PIPE CONNECTOR	2	312210
RIGHT HANDHOLD ASSEMBLY	1	312213
LEFT HANDHOLD ASSEMBLY	1	312216
HARDWARE COMPLETE	1	311302
1/4" x 3/4" DRIVE RIVET	2	168449*
3/8" x 3/8" SET SCREW	2	811549*
3/8" x 3/4" P.B.H.C.S. w/PATCH	6	812052*
3/8" x 1 1/4" P.B.H.C.S. w/PATCH	2	812051*
3/8" x 1 1/2" P.B.H.C.S. w/PATCH	2	812053*
3/8" x 2 1/4" P.B.H.C.S. w/PATCH	2	812056*
3/8" LOCK WASHER	6	817334*
3/8" FLAT WASHER	6	817410*
3/8" FLAT WASHER (1 1/4" O.D.)	2	817424*
3/8" HEAVY HEX NUT	2	804200*
3/8" BARREL NUT	2	804804*
1/2" FLAT WASHER	2	817412*

Unless Otherwise Specified, All Units of Measure are Each

**Items listed below Hardware Complete line are included with Hardware Complete Number*

Warning: During Installation, Hardware And Small Parts Are Choking Hazards For Young Children. Store Unused Parts Appropriately Until Assembly Is Completed. Once Assembly Is Completed, Remove Any Unused Parts From The Play Environment And Dispose/Save Them In A Secure Location. Any bolt end protruding more than two full threads beyond the face of the nut causes risk of clothing entanglement.

Promptly cut-off flush, file smooth, and treat to prevent corrosion.

Note: Peen Tee-Nuts and Flatwashers to match radius of pipe after assembly is complete.

Note: Loctite (supplied by others) should be used on any non-patch hardware.

INSTALLATION INSTRUCTIONS:

1. Determine which deck is to receive the slide and dig footing at location shown in Top View. Refer to the Elevation View for footing depth.
2. Using a 7/16" drill bit, ream out excess "Plastisol" coating from holes used on the deck. Be careful not to expose the steel.
3. Attach Hood Pipe Connectors to Pipe Clamps with 3/8" x 3/8" Set Screws; only slightly tighten the Set Screws. Attach Assembly to Upright using 3/8" x 1 1/2" P.B.H.C.S. w/Patch and 3/8" Heavy Hex Nut. See Detail 041. Refer to Elevation View for clamp height location.
4. Attach Slide Hood to Hood Pipe Connector using 3/8" x 2 1/4" P.B.H.C.S. w/Patch, 3/8" Lock Washer, 1/2" Flat Washer, and 3/8" Barrel Nut. See Detail 656. Adjust height of Slide Hood shown in Elevation View.
5. Using Detail 24, attach Foot Buck to Slide using 3/8" x 3/4" P.B.H.C.S. w/Patch, 3/8" Lockwasher, and 3/8" Flat Washer. Place Foot Buck into footing holes and attach 2'-8" Single Speedway Wave Slide to Deck as referred in Detail 136, using 3/8" x 1 1/4" P.B.H.C.S. w/Patch and 3/8" Flat Washer (1 1/4" O.D.)
6. Place Handholds into the bottom pockets of the Slide Hood and fasten its tab to the Slide using 3/8" x 3/4" P.B.H.C.S. w/Patch and 3/8" Flat Washer. See Detail 129.

Duramax

68506 2'-8" SINGLE SPEEDWAY WAVE SLIDE

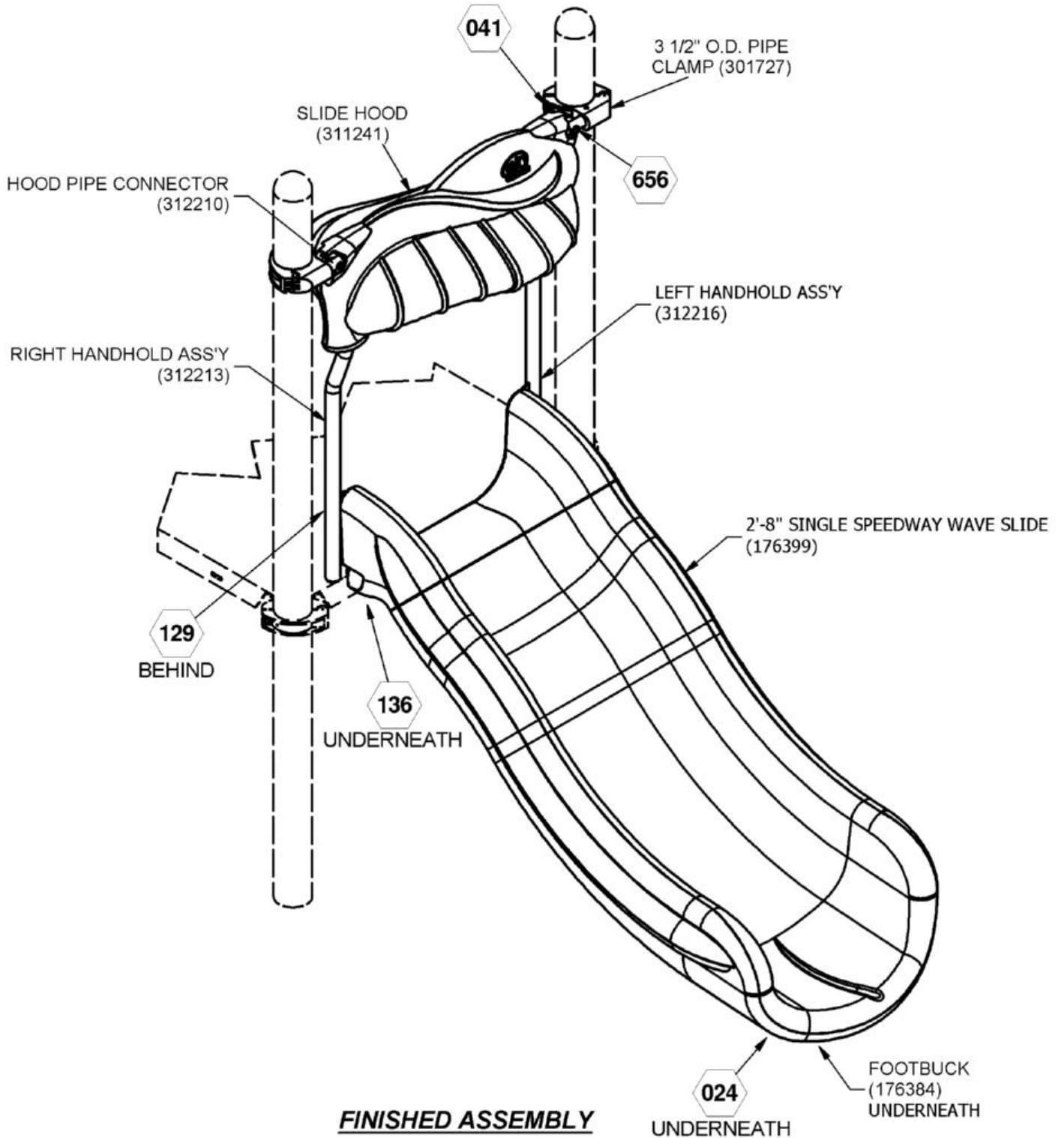
7. When the Slide is plumb and level, tighten all fasteners and pour concrete footings within 4" to the top and taper away from supports to allow drainage. Allow to cure at least 48 hours before use.

IMPORTANT! Avoid creating any gaps between the components which fall between 3-1/2" and 9". It has been shown that such gaps create entrapment points which can trap a child and cause injury.

8. When structure is finished and satisfactory, tighten all fasteners and install Drive Rivets in all clamps to ensure clamps cannot slide down posts. See Pipe Clamp sub-assembly sheet. **It is very important that all Drive Rivets be installed prior to allowing use of equipment, such as clamps are not designed to support substantial weight without them.** Also eliminate sharp points and sharp edges (burring) on installed hardware like bolts, nuts, etc. Install resilient surfacing material within the use zone of play structure in accordance with ASTM specifications F1292 appropriate for the fall height of each structure. Refer to the Safety Guidelines.

Duramax

68506 2'-8" SINGLE SPEEDWAY WAVE SLIDE

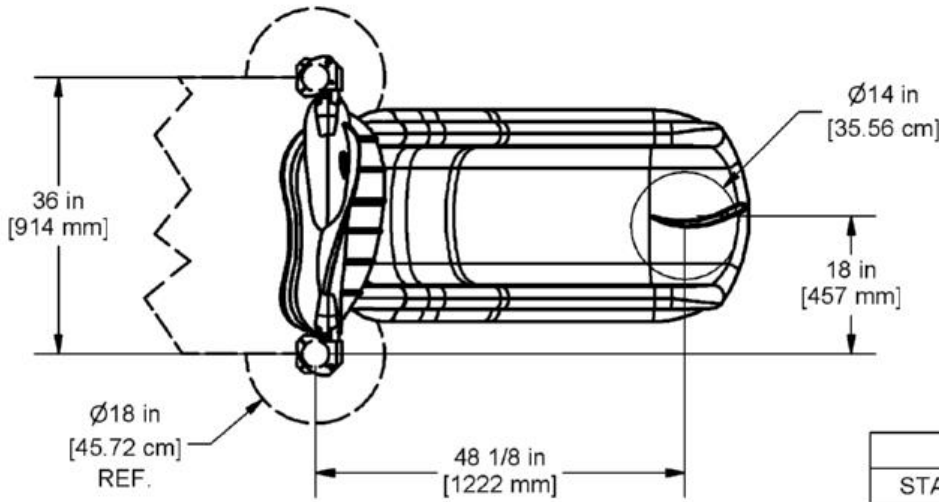


 = INSTALLATION DETAIL

COMPONENTS SHOWN IN HIDDEN LINES ARE SOLD SEPARATELY

Duramax

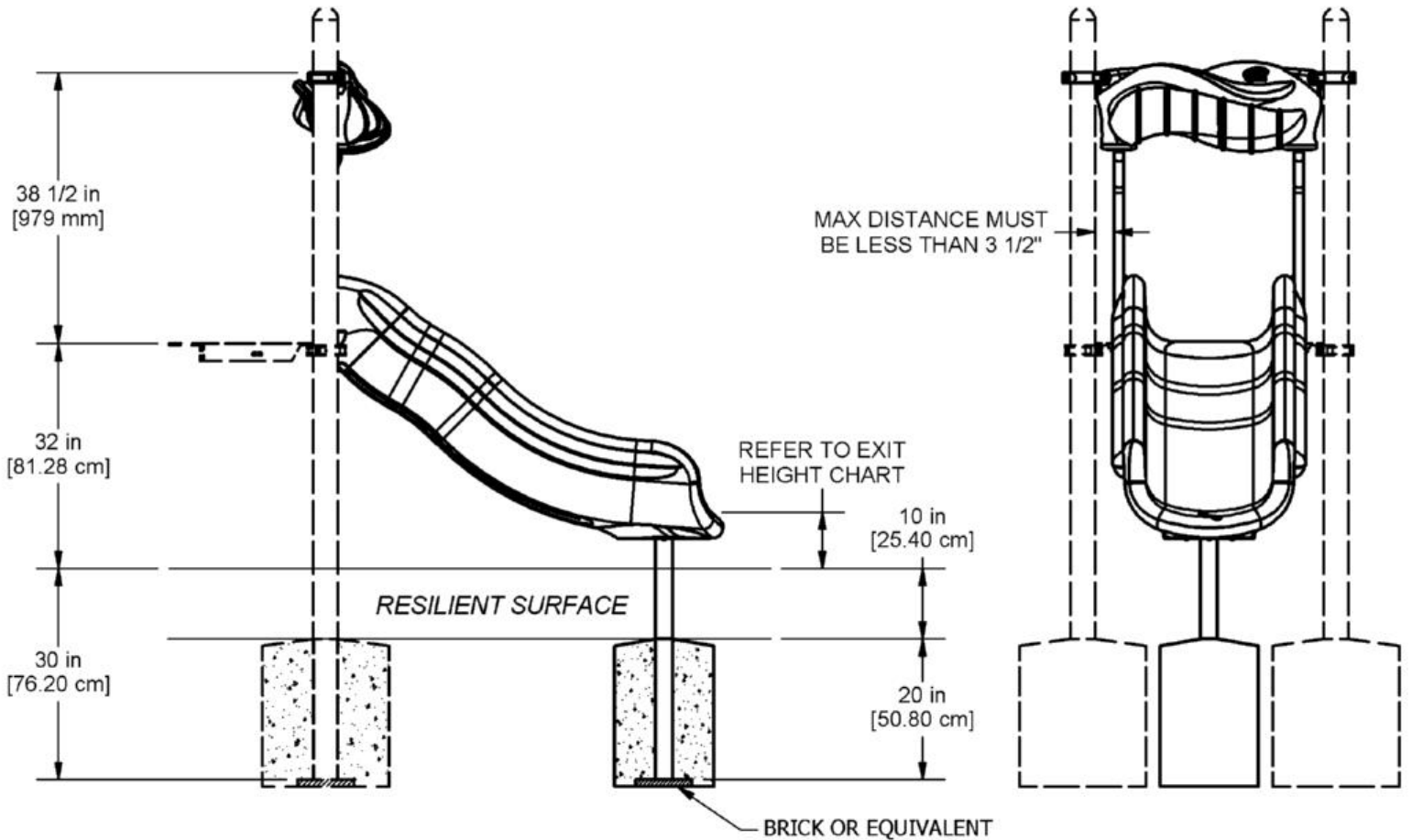
68506 2'-8" SINGLE SPEEDWAY WAVE SLIDE



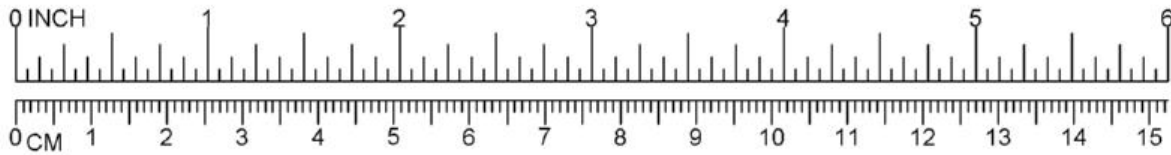
PLAN VIEW

CONCRETE REQUIRED
 0.07 CUBIC YARDS
 0.05 [CUBIC METERS]

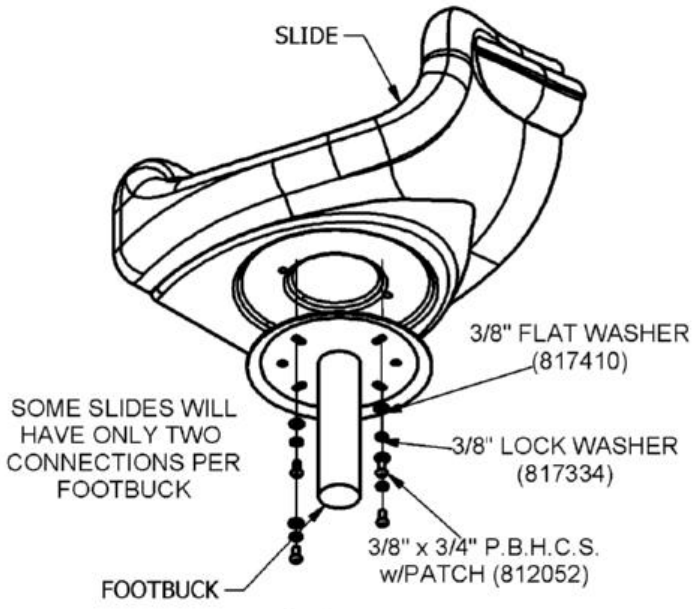
EXIT HEIGHT CHART	
STANDARD	EXIT HEIGHT from SURFACING
ASTM	11" OR LESS
CSA	275mm OR LESS
EN	200mm OR LESS



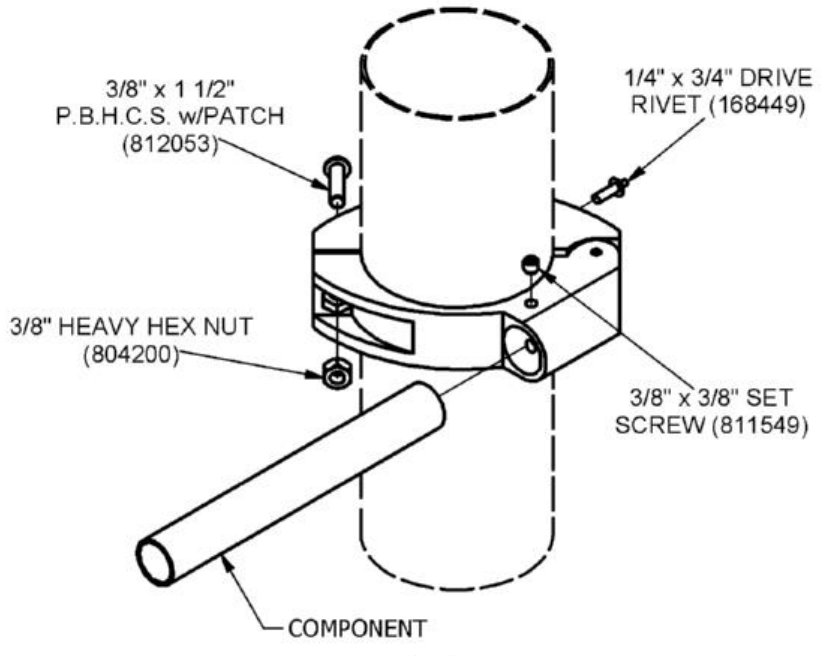
ELEVATION VIEW



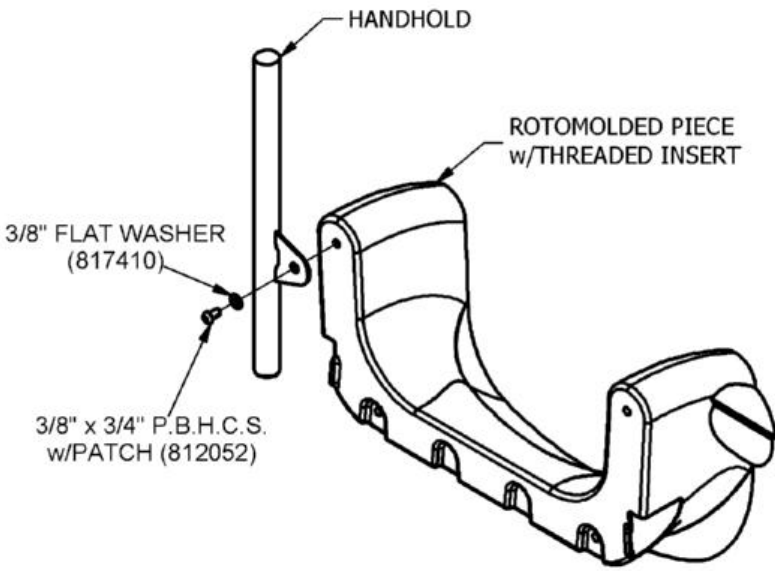
68506 2'-8" SINGLE SPEEDWAY WAVE SLIDE



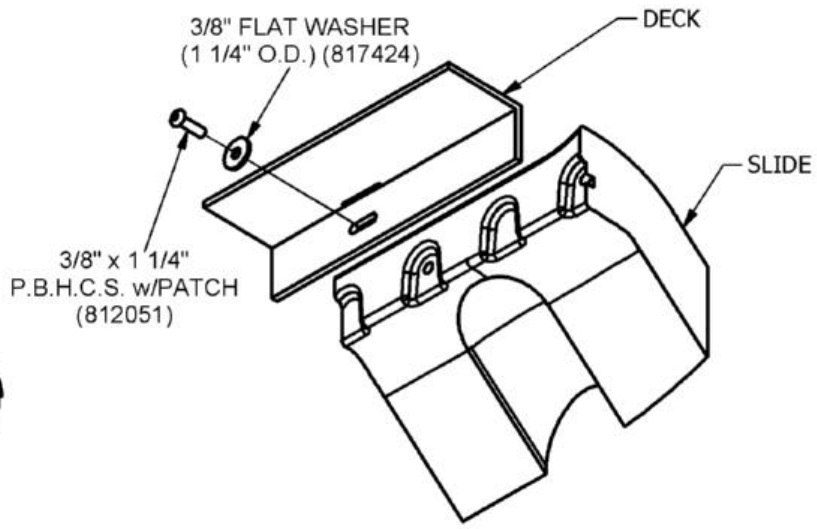
024



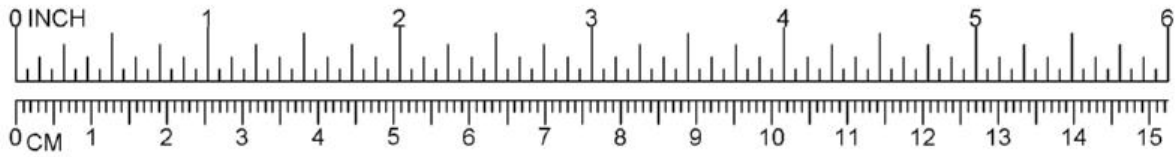
041



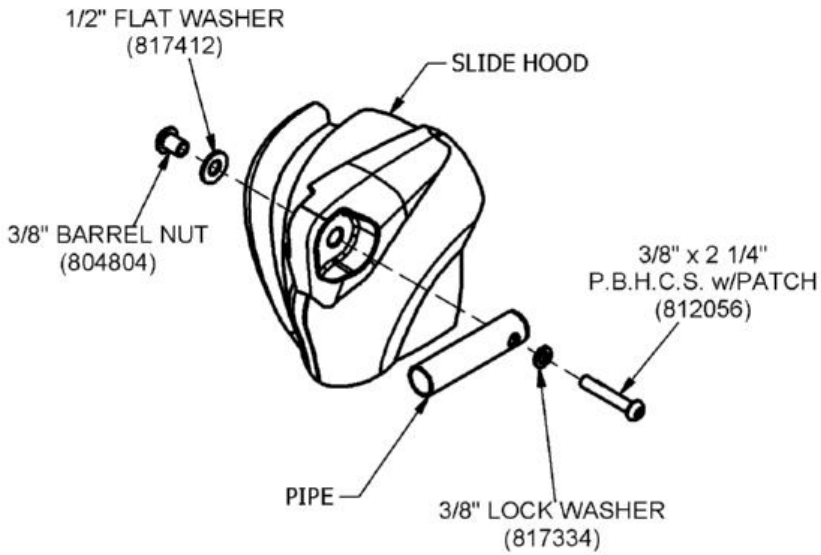
129



136



68506 2'-8" SINGLE SPEEDWAY WAVE SLIDE



656

Duramax

69270 4'-8" DOUBLE CURVED VELOCITY SLIDE

Parts List		
DESCRIPTION	QTY	PART NUMBER
FOOTBUCK	2	168608
DOUBLE CURVED VELOCITY SLIDE	1	204591
3 1/2" O.D. PIPE CLAMP	2	301727
DOUBLE SLIDE HOOD	1	312750
SLIDE HOOD PIPE	2	312771
HARDWARE COMPLETE	1	312772
1/4" x 3/4" DRIVE RIVET	2	168449*
3/8" x 3/8" SET SCREW	2	811549*
3/8" x 3/4" P.B.H.C.S. w/PATCH	4	812052*
3/8" x 1 1/4" P.B.H.C.S. w/PATCH	2	812051*
3/8" x 1 1/2" P.B.H.C.S. w/PATCH	2	812053*
3/8" x 1 3/4" P.B.H.C.S. w/PATCH	2	812054*
3/8" x 2" THREADED ROD	2	803560*
3/8" x 2 1/2" P.B.H.C.S. w/PATCH	7	812057*
3/8" LOCKWASHER	4	817334*
3/8" FLAT WASHER	2	817410*
3/8" FLAT WASHER (1 1/4" O.D.)	9	817424*
3/8" HEAVY HEX NUT	2	804200*
3/8" FLAT WASHER (1" O.D.)	2	817401*

Unless Otherwise Specified, All Units of Measure are Each

**Items listed below Hardware Complete line are included with Hardware Complete Number*

Warning: During Installation, Hardware And Small Parts Are Choking Hazards For Young Children. Store Unused Parts Appropriately Until Assembly Is Completed. Once Assembly Is Completed, Remove Any Unused Parts From The Play Environment And Dispose/Save Them In A Secure Location. Any bolt end protruding more than two full threads beyond the face of the nut causes risk of clothing entanglement.

Promptly cut-off flush, file smooth, and treat to prevent corrosion.

Note: Peen Tee-Nuts and Flatwashers to match radius of pipe after assembly is complete.

Note: Loctite (supplied by others) should be used on any non-patch hardware.

Duramax

69270 4'-8" DOUBLE CURVED VELOCITY SLIDE

INSTALLATION INSTRUCTIONS:

1. Determine which deck is to receive the slide and dig footing at location shown in Top View. Refer to the Elevation View for footing depth.
2. Attach Pipe Clamps to uprights using 3/8" x 1 1/2" P.B.H.C.S. w/Patch and 3/8" Heavy Hex Nut as shown in Detail 041. Refer to Elevation View for clamp height and orientation.
3. Attach the Slide Hood Pipe to Double Slide Hood using 3/8" Threaded Rod. See Detail 705.
4. Place Slide Hood Pipes from Double Slide Hood into Pipe Clamps and set in place with 3/8" x 3/4" Set Screw. See Detail 041.
5. Attach Double Slide Hood to Deck using 3/8" x 1 1/4" P.B.H.C.S. w/Patch and 3/8" Flat Washer (1 1/4" O.D.). See Detail 028.
6. Attach Double Slide Hood to Uprights using 3/8" x 1 3/4" P.B.H.C.S. w/Patch and 3/8" Flat Washer (1 1/4" O.D.) See Detail 706.
7. Attach Foot Buck to Double Curved Velocity Slide with 3/8" x 3/4" P.B.H.C.S. w/Patch, 3/8" Lock Washer, and 3/8" Flatwasher. See Detail 024.
8. Place Foot Buck into footing holes and attach Double Curved Velocity Slide to Double Slide Hood to using 3/8" x 2 1/2" P.B.H.C.S. w/Patch and 3/8" Flat Washer (1" O.D.). See Detail 707 and 708.
9. When the Slide is plumb and level, tighten all fasteners and pour concrete footings within 4" to the top and taper away from supports to allow drainage. Allow to cure at least 48 hours before use.

IMPORTANT! Avoid creating any gaps between the components which fall between 3-1/2" and 9". It has been shown that such gaps create entrapment points which can trap a child and cause injury.

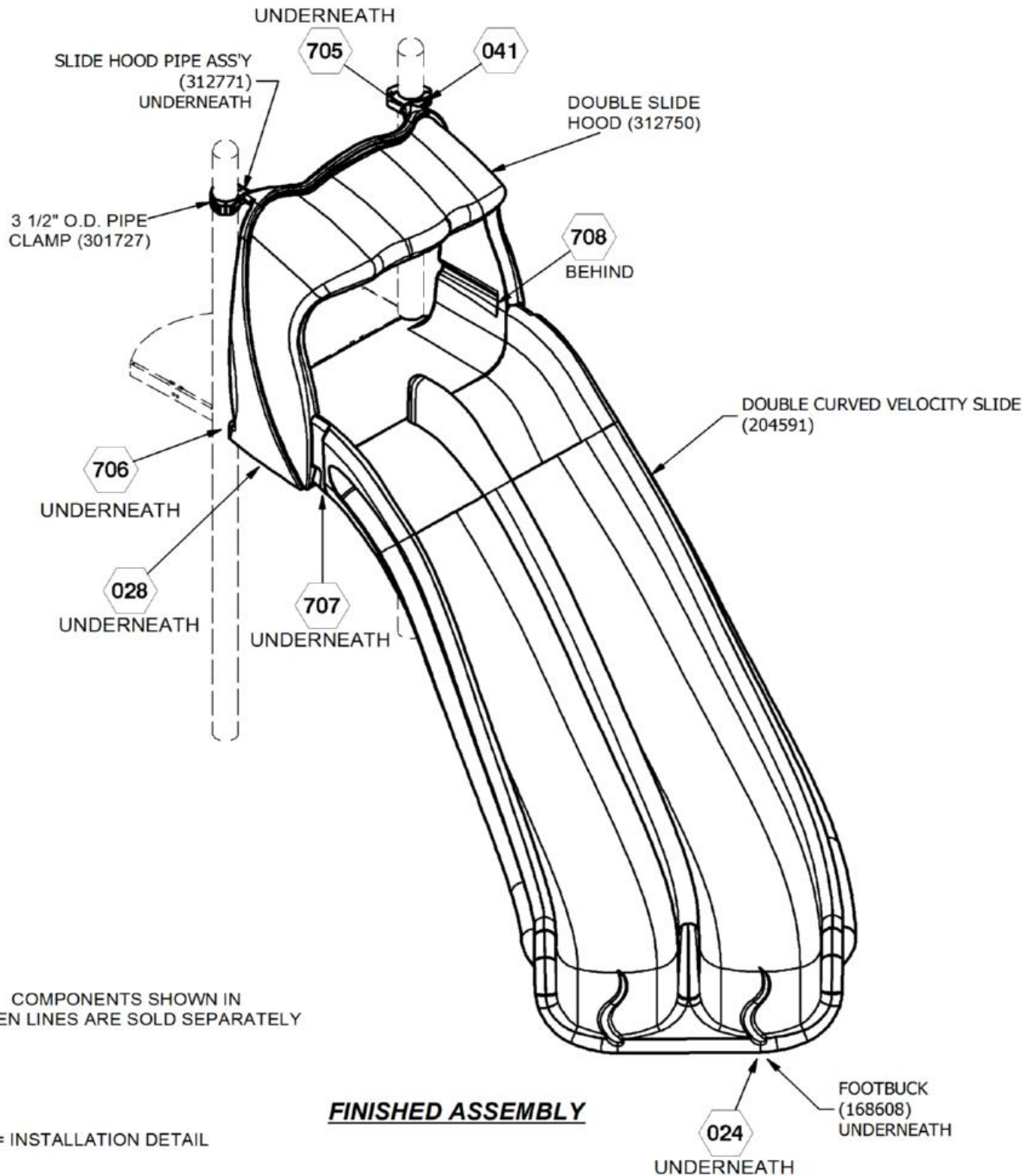
10. When structure is finished and satisfactory, tighten all fasteners and install Drive Rivets in all clamps to ensure clamps cannot slide down posts. See Pipe Clamp sub-assembly sheet. ***It is very important that all Drive Rivets be installed prior to allowing use of equipment, as clamps are not designed to support substantial weight without them.*** Also Eliminate sharp points and sharp edges (burring) on installed hardware like bolts, nuts, etc. Install resilient surfacing material within the use zone of play structure in accordance with ASTM specifications F1292 appropriate for the fall height of each structure. Refer to the Safety Guidelines.

MAINTENANCE PROCEDURE:

Periodically check hardware for tightness, and tighten as necessary. Always check all parts for breakage or wear, and immediately put equipment out of service until any faulty parts found are repaired or replaced. Also Check all metal parts for rust, paint loss and touch-up if necessary with paint. Check for welded areas and verify integrity. Check periodically resilient surfacing for appropriate depth and remove extraneous materials that could cause injury, infection, or disease. Maintain detailed installation, inspection, maintenance, and repair records for each public-use playground equipment.

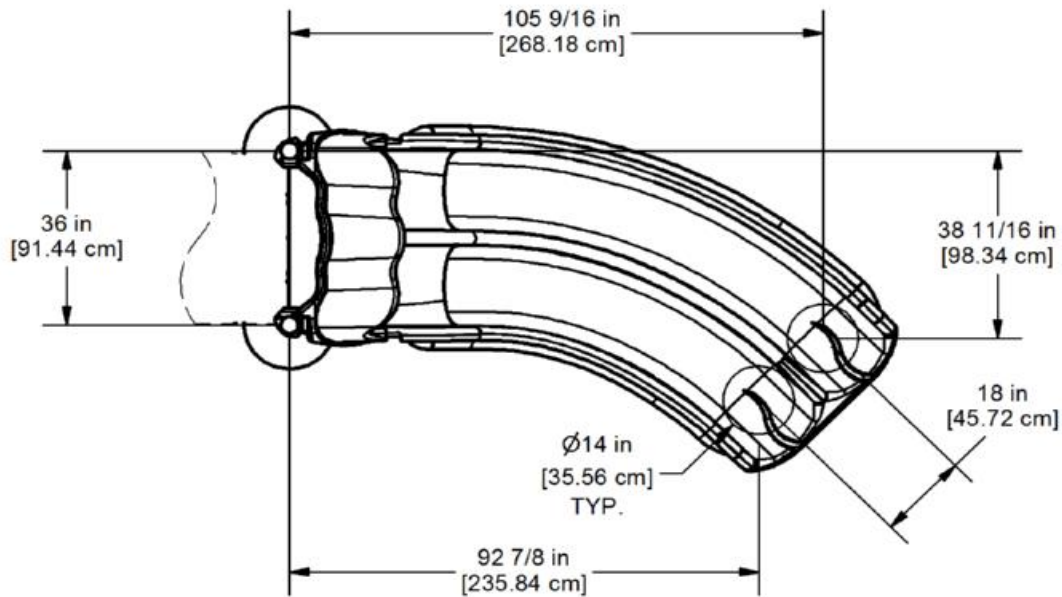
Duramax

69270 4'-8" DOUBLE CURVED VELOCITY SLIDE



Duramax

69270 4'-8" DOUBLE CURVED VELOCITY SLIDE

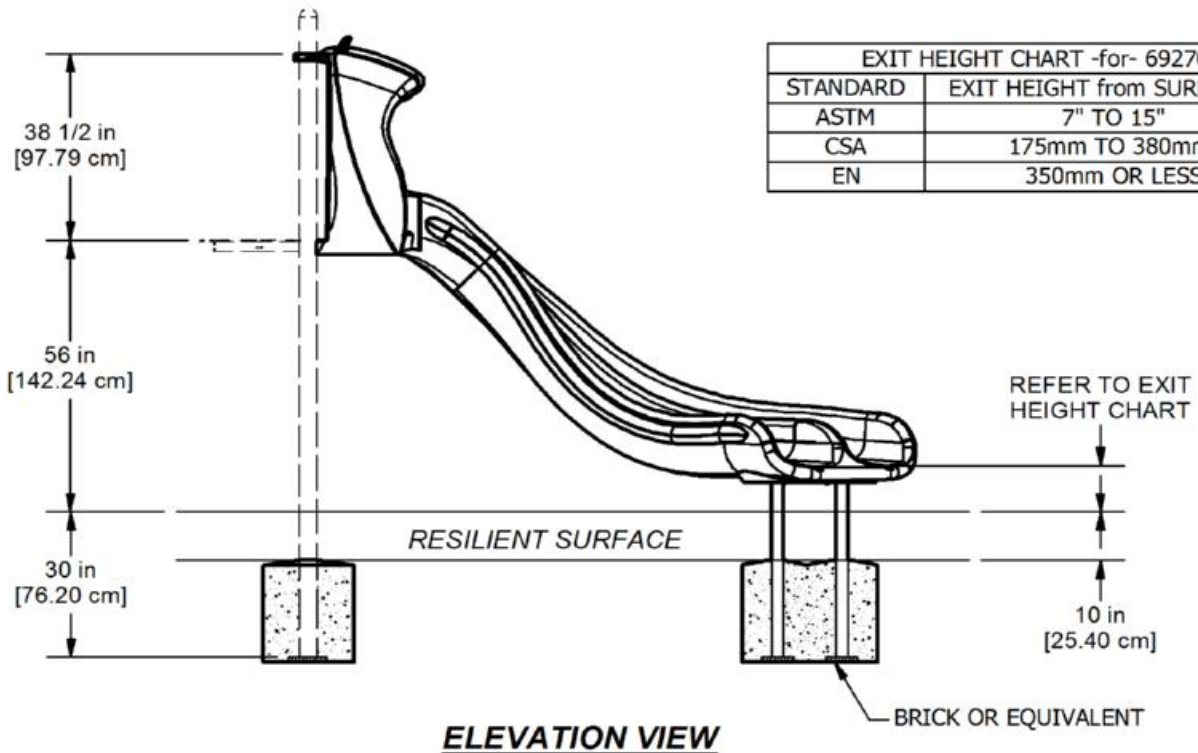


CONCRETE REQUIRED

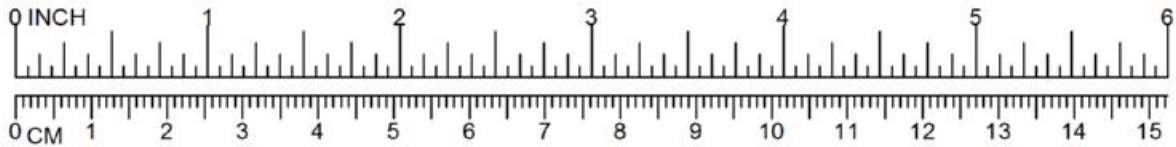
0.132 CUBIC YARDS
0.100 [CUBIC METERS]

PLAN VIEW

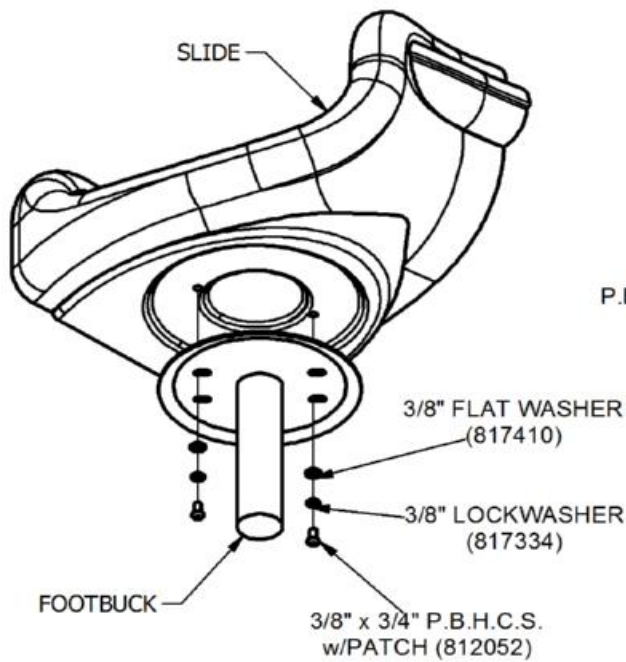
NOTE: BEDWAY MUST NOT EXCEED 50° DOWNWARD ANGLE PER ASTM AND CSA STANDARD.



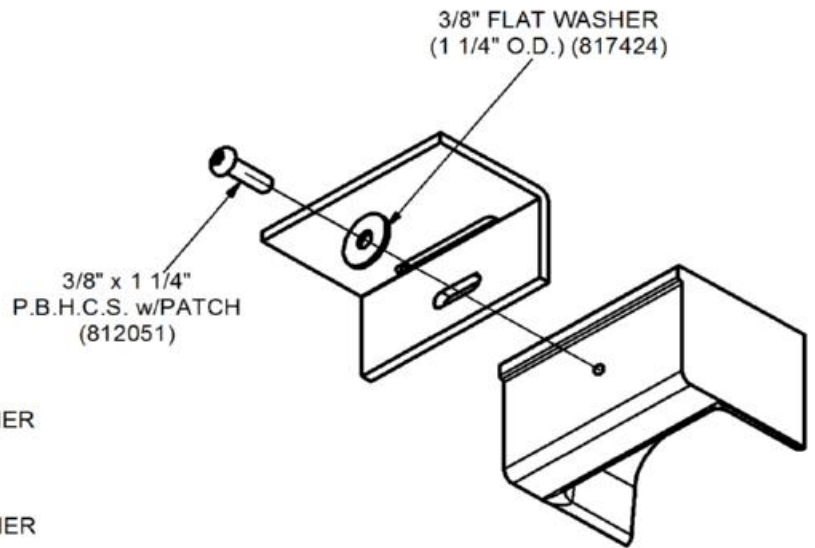
EXIT HEIGHT CHART -for- 69270	
STANDARD	EXIT HEIGHT from SURFACING
ASTM	7" TO 15"
CSA	175mm TO 380mm
EN	350mm OR LESS



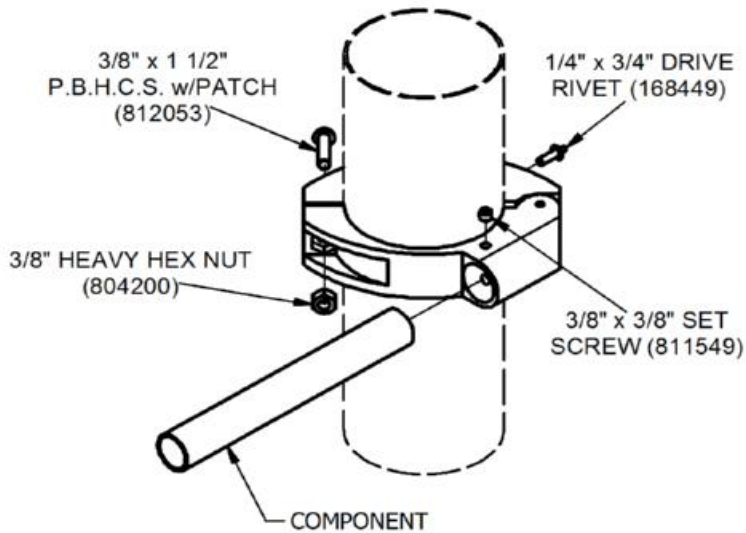
69270 4'-8" DOUBLE CURVED VELOCITY SLIDE



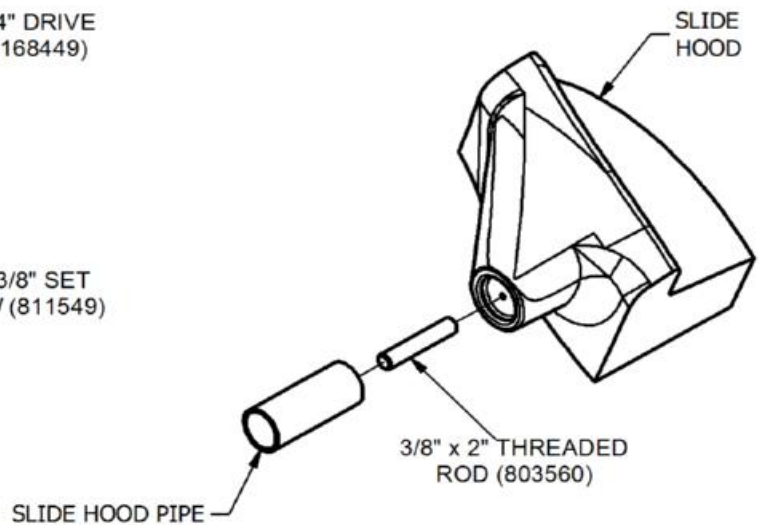
024



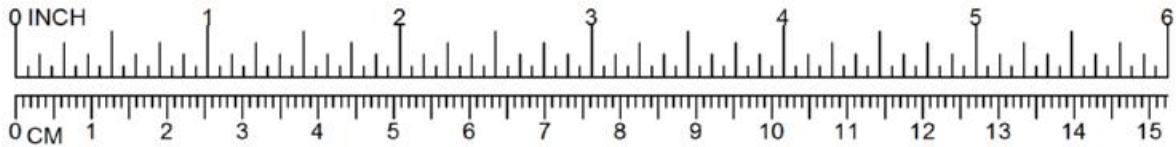
028



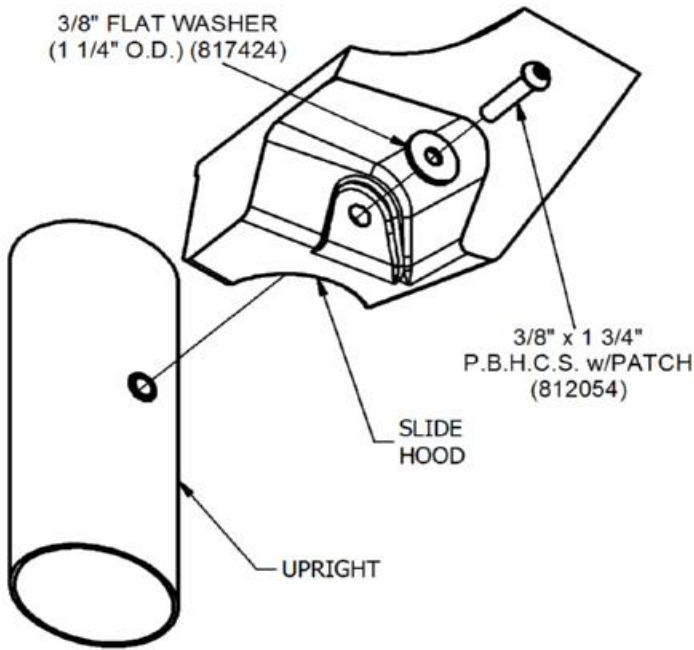
041



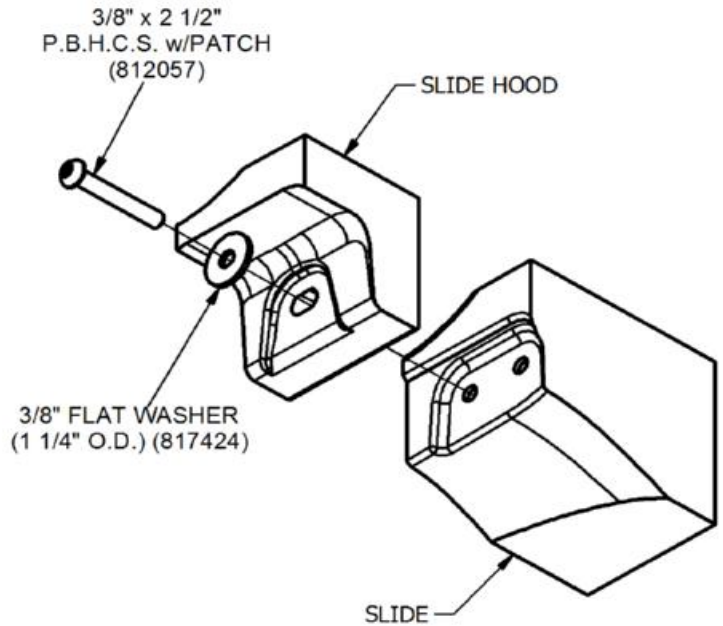
705



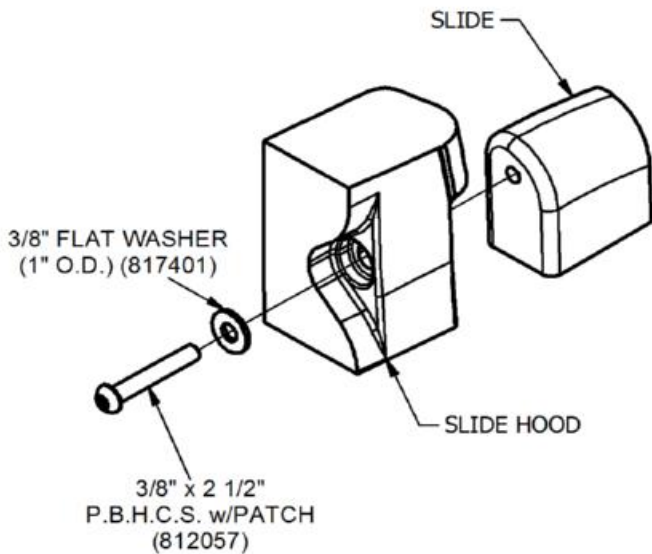
69270 4'-8" DOUBLE CURVED VELOCITY SLIDE



706



707



708

Duramax

69302 SQUARE DECK 69303 TRIANGLE DECK

Parts List			
DESCRIPTION	69302	69303	PART NUMBER
SQUARE DECK	1	0	312807
TRIANGLE DECK	0	1	312811
HARDWARE COMPLETE	1	0	312841
HARDWARE COMPLETE	0	1	312864
3/8" x 3/4" P.B.H.C.S. w/PATCH	2	2	812052*
3/8" x 1 1/4" P.B.H.C.S. w/PATCH	4	3	812051*
3/8" LOCK WASHER	2	2	817334*
3/8" FLAT WASHER (1 1/4" O.D.)	6	5	817424*
3/8" T-NUT	2	2	804556*

Unless Otherwise Specified, All Units of Measure are Each

**Items listed below Hardware Complete line are included with Hardware Complete Number*

Warning: During Installation, Hardware And Small Parts Are Choking Hazards For Young Children. Store Unused Parts Appropriately Until Assembly Is Completed. Once Assembly Is Completed, Remove Any Unused Parts From The Play Environment And Dispose/Save Them In A Secure Location. Any bolt end protruding more than two full threads beyond the face of the nut causes risk of clothing entanglement.

Promptly cut-off flush, file smooth, and treat to prevent corrosion.

Note: Peen Tee-Nuts and Flatwashers to match radius of pipe after assembly is complete.

Note: Loctite (supplied by others) should be used on any non-patch hardware.

INSTALLATION INSTRUCTIONS:

1. Place Uprights in dug holes at appropriate height per Upright instructions. Get the height required for the deck from the Plan View Diagram.
2. Using a 7/16" drill bit, ream out any excess "Plastisol" coating from all holes used on the Deck. Be careful not to expose the steel.
3. Attach Deck to Uprights using 3/8" x 1 1/4" P.B.H.C.S. w/Patch and 3/8" Flat Washer (1 1/4" O.D.). See Detail 717.
4. Attach side-by-side Decks to one another using 3/8" x 3/4" P.B.H.C.S. w/Patch, 3/8" Lock Washer, 3/8" Flat Washer (1 1/4" O.D.), and 3/8" T-Nut. See Detail 061.
5. When all decks are completed and correct, pour concrete footings within 4" to the top and taper away from support posts to allow water drainage. Allow curing at least 48 hours before use.
6. When structure is finished and satisfactory, eliminate sharp points and sharp edges (burring) on installed hardware like bolts, nuts, etc. Install resilient surfacing material within the *use zone* of play structure in accordance with ASTM specifications F1292 appropriate for the full height of each structure. Refer to the *Safety Guidelines*.

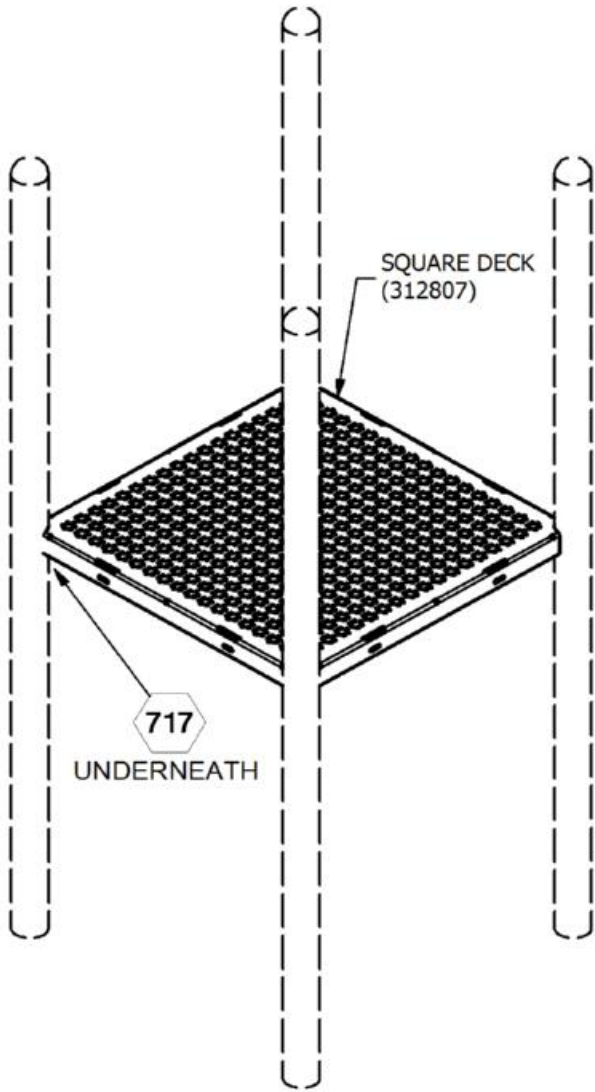
Note: To cushion accidental falls by children, Park Structures strongly recommends that the area under and around the play structure must be covered with a resilient material, such as sand, mulch, etc. to a minimum depth of 10" for sand. Approved rubber safety matting can also be used. For details, please refer to your *Safety Guidelines*, provided within the assembly instructions packet.

MAINTENANCE PROCEDURE:

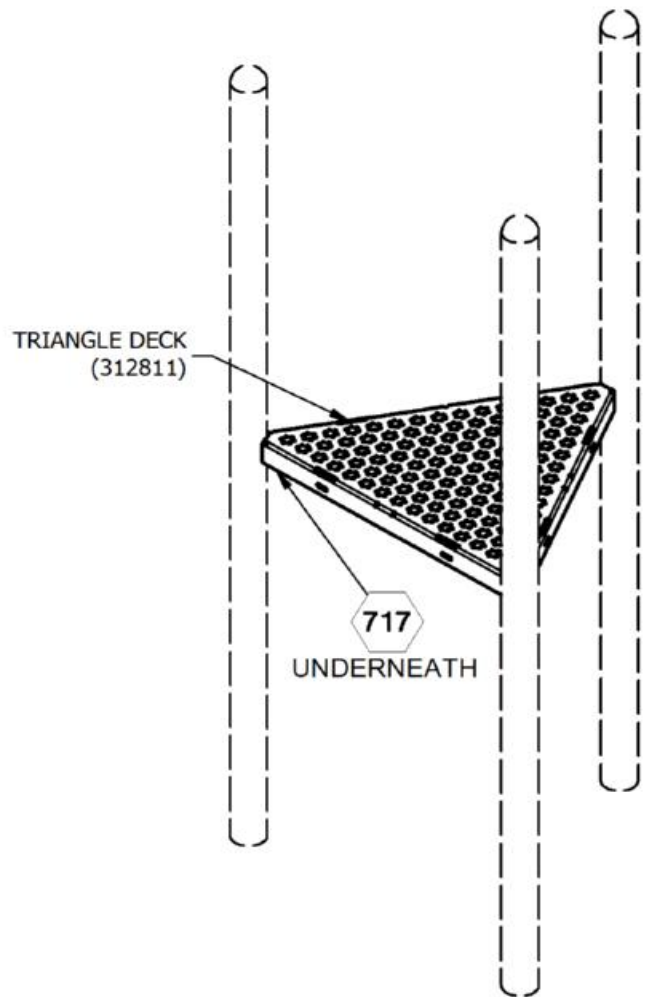
Periodically check hardware for tightness, and tighten as necessary. Always check all parts for breakage or wear, and immediately put equipment out of service until any faulty parts found are repaired or replaced. Also Check all metal parts for rust, paint loss and touch-up if necessary with paint. Check for welded areas and verify integrity. Check periodically resilient surfacing for appropriate depth and remove extraneous materials that could cause injury, infection, or disease. Maintain detailed installation, inspection, maintenance, and repair records for each public-use playground equipment.

Duramax

69302 SQUARE DECK 69303 TRIANGLE DECK



SQUARE DECK



TRIANGLE DECK

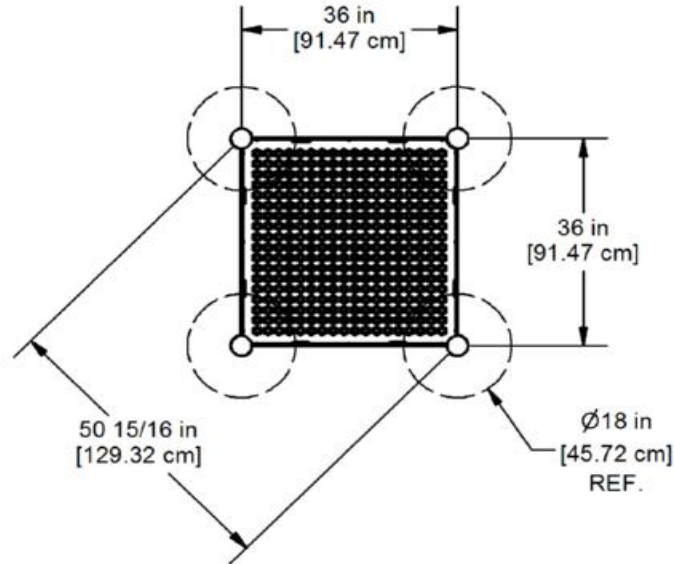
 = INSTALLATION DETAIL

FINISHED ASSEMBLY

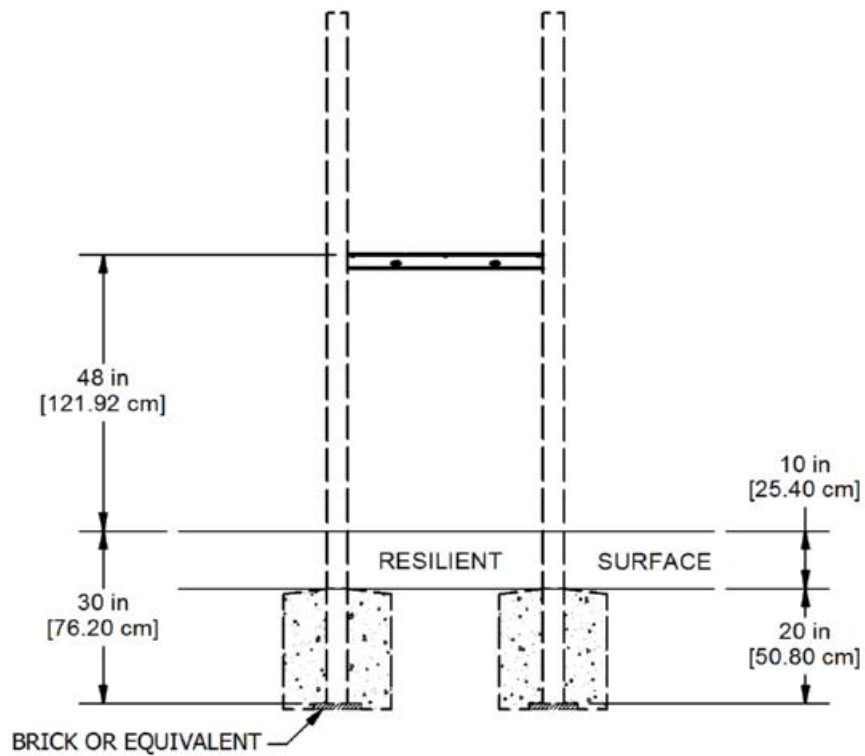
COMPONENTS SHOWN IN
HIDDEN LINES ARE SOLD SEPARATELY

Duramax

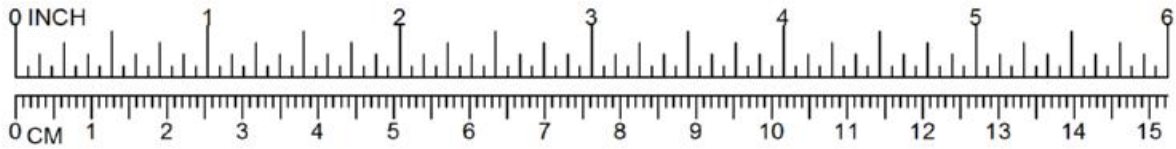
69302 SQUARE DECK 69303 TRIANGLE DECK



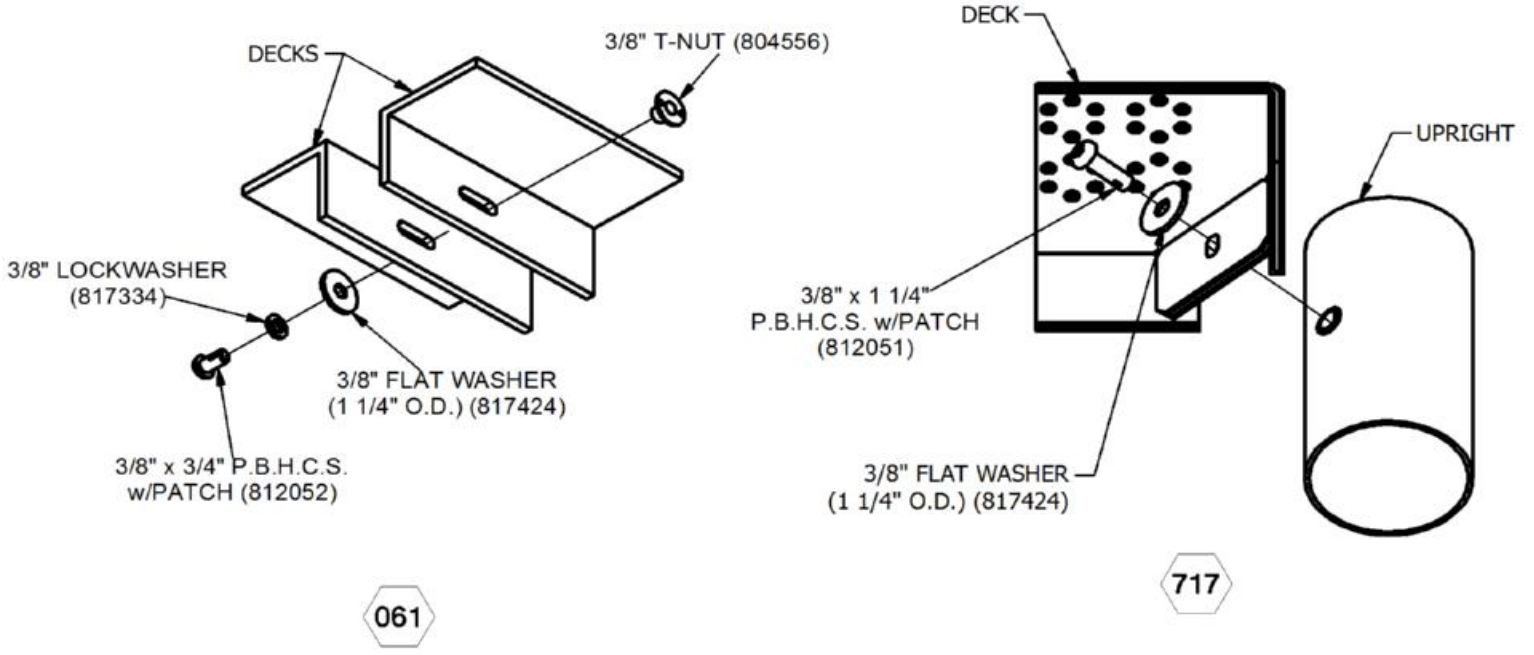
PLAN VIEW



ELEVATION VIEW
69302 SHOWN



69302 SQUARE DECK 69303 TRIANGLE DECK



Duramax

69465 SURGE CLIMBER ATTACHMENT

Parts List		
DESCRIPTION	QTY	PART NUMBER
3 1/2" O.D. DECK CLAMP	2	301731
SMASHED PIPE	2	306990
MOUNTING BRACKET	1	306982
SPLIT ENTRANCE	2	313623
SURGE CLIMBER	1	314121
HARDWARE COMPLETE	1	307025
1/4" x 3/4" DRIVE RIVET	2	168449
3/8" x 3/4" P.B.H.C.S. w/PATCH	2	812052
3/8" x 1" P.B.H.C.S. w/PATCH	4	812050
3/8" x 1 1/2" P.B.H.C.S. w/PATCH	4	812053
3/8" LOCK WASHER	6	817334
3/8" FLAT WASHER	6	817410
3/8" FLAT WASHER (1 1/4" O.D.)	2	817424
3/8" HEAVY HEX NUT	2	804200
3/8" T-NUT	2	804556
3/8" BARREL NUT	2	804804

Unless Otherwise Specified, All Units of Measure are Each

**Items listed below Hardware Complete line are included with Hardware Complete Number*

Warning: During Installation, Hardware And Small Parts Are Choking Hazards For Young Children. Store Unused Parts Appropriately Until Assembly Is Completed. Once Assembly Is Completed, Remove Any Unused Parts From The Play Environment And Dispose/Save Them In A Secure Location. Any bolt end protruding more than two full threads beyond the face of the nut causes risk of clothing entanglement.

Promptly cut-off flush, file smooth, and treat to prevent corrosion.

Note: Peen Tee-Nuts and Flatwashers to match radius of pipe after assembly is complete.

Note: Loctite (supplied by others) should be used on any non-patch hardware.

INSTALLATION INSTRUCTIONS:

1. Determine which deck is to receive the Surge Climber and dig footing holes at location shown in Top View. Refer to your Elevation View for footing depth.
2. Using a 7/16" Drill bit, ream out excess "Plastisol" coating from all holes used on the Deck. Be careful not to expose the steel.
3. Using Detail 001 and Elevation View, locate and fasten two Deck Clamps to Upright using 3/8" x 1 1/2" P.B.H.C.S. w/Patch, and 3/8" Heavy Hex Nut.
4. Attach Split Entrance to Deck Clamp using 3/8" x 1 1/2" P.B.H.C.S. w/Patch, 3/8" Flat washer, and 3/8" Barrel Nut. Repeat for other side. See Detail 797.
5. Attach Mounting Bracket and Split Entrance to Deck using 3/8" x 3/4" P.B.H.C.S. w/Patch, 3/8" Lock Washer, 3/8" Flat Washer (1 1/4" O.D.), and 3/8" T-Nut. See Detail 130.
6. Attach Smashed Pipe to Surge Climber using 3/8" x 1" P.B.H.C.S. w/Patch, 3/8" Lock Washer, and 3/8" Flat Washer. See Detail 132.
7. Using sufficient manpower, lift climber into place, and attach to Mounting Bracket using 3/8" x 1" P.B.H.C.S. w/Patch, 3/8" Lock Washer, and 3/8" Flat Washer. See Detail 131. **NOTE: Make sure frog head is orientated in top left corner of part when installing. See Finished Ass'y View.**
8. Plumb and level the entire assembly and tighten all fasteners.

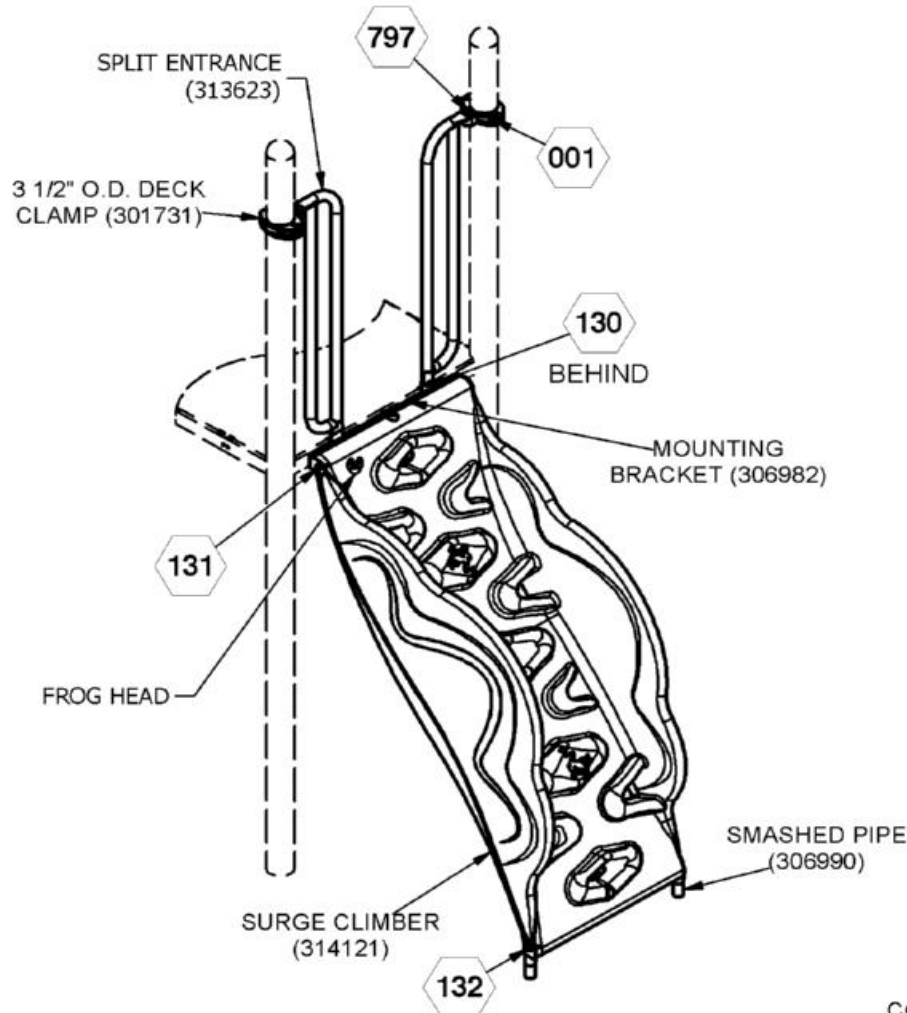
Duramax

69465 SURGE CLIMBER ATTACHMENT

- After entire unit is assembled pour concrete footings within 4" to the top and taper away from post for water drainage. Allow to cure at least 48 hours before use.
- When the structure is finished and satisfactory, install Drive Rivets in all clamps to ensure clamps cannot slide down posts. See Ring Clamp sub-assembly sheets. ***It is very important that all Drive Rivets be installed prior to allowing use of equipment, as clamps are not designed to support substantial weight without them.*** Also Eliminate sharp points and sharp edges (burring) on installed hardware like bolts, nuts, etc. Install resilient surfacing material within the use zone of play structure in accordance with ASTM specifications F1292 appropriate for the fall height of each structure. Refer to the Safety Guidelines.

MAINTENANCE PROCEDURE:

Periodically check hardware for tightness, and tighten as necessary. Always check all parts for breakage or wear, and immediately put equipment out of service until any faulty parts found are repaired or replaced. Also Check all metal parts for rust, paint loss and touch-up if necessary with paint. Check for welded areas and verify integrity. Check periodically resilient surfacing for appropriate depth and remove extraneous materials that could cause injury, infection, or disease. Maintain detailed installation, inspection, maintenance, and repair records for each public-use playground equipment.



 = INSTALLATION DETAIL

Issued/Revised: 6/19/2017

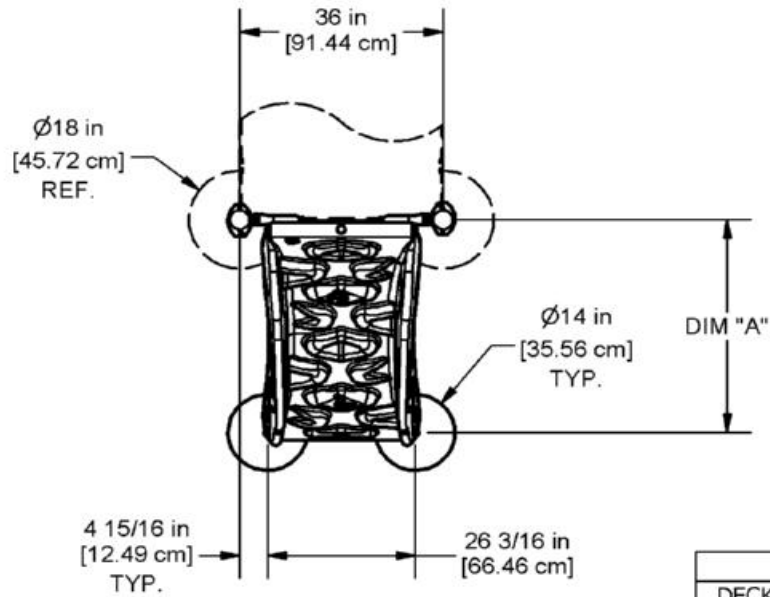
FINISHED ASSEMBLY
5'-4" DECK HEIGHT SHOWN

COMPONENTS SHOWN IN
HIDDEN LINES ARE SOLD SEPARATELY

SHEET 2 OF 5

Duramax

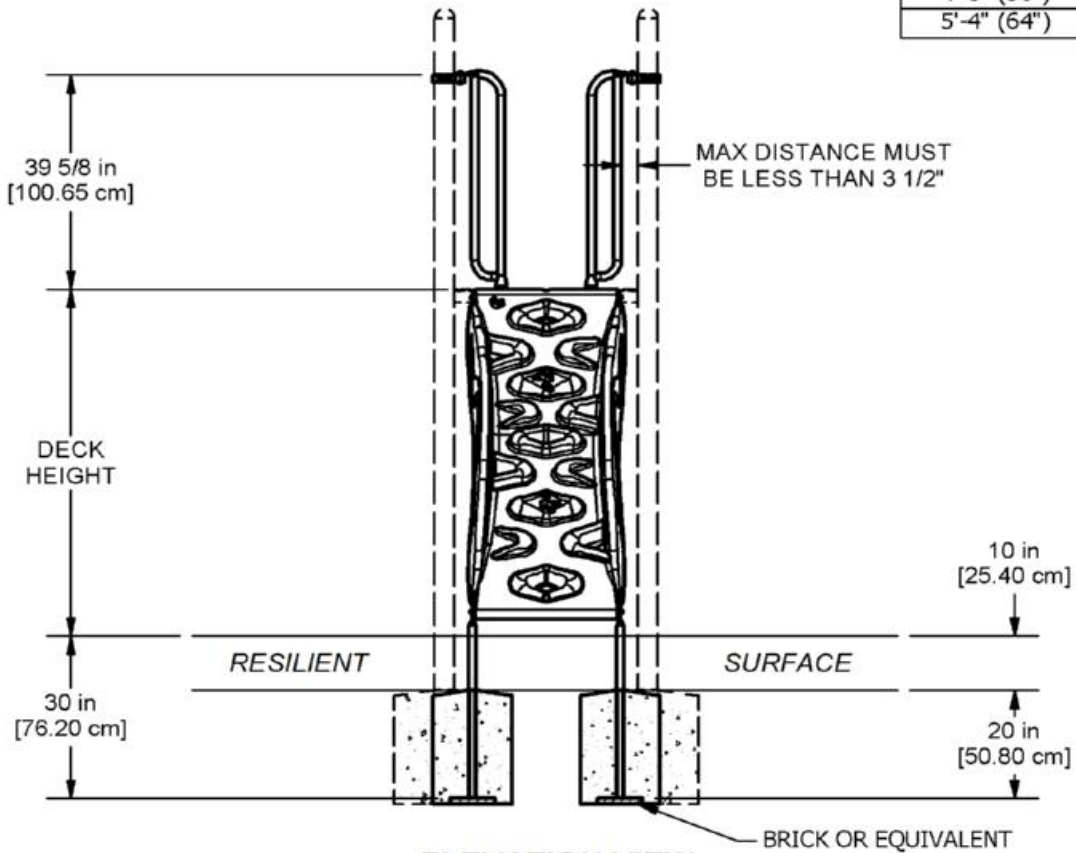
69465 SURGE CLIMBER ATTACHMENT



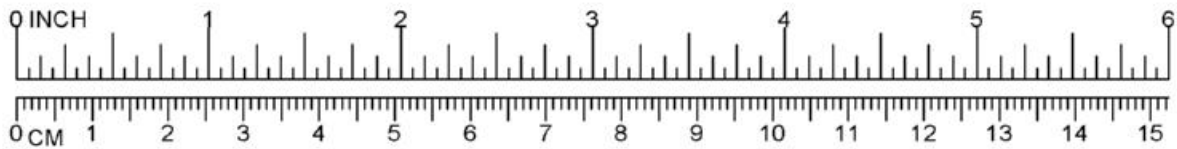
DIM "A"	
DECK HEIGHT	DISTANCE
2'-8" (32")	65 13/16"
3'-4" (40")	61 15/16"
4'-0" (48")	56 5/8"
4'-8" (56")	49 7/16"
5'-4" (64")	39 5/16"

CONCRETE REQUIRED
 0.14 CUBIC YARDS
 0.10 [CUBIC METERS]

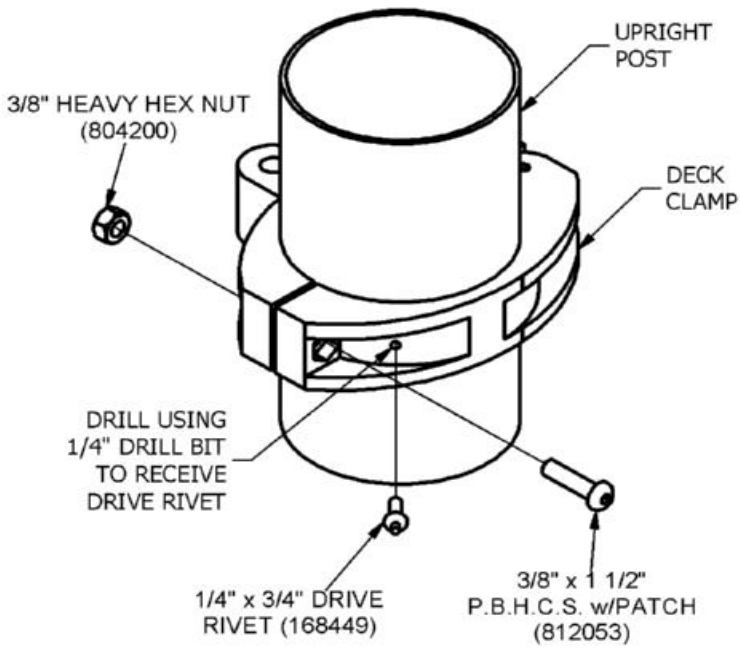
PLAN VIEW



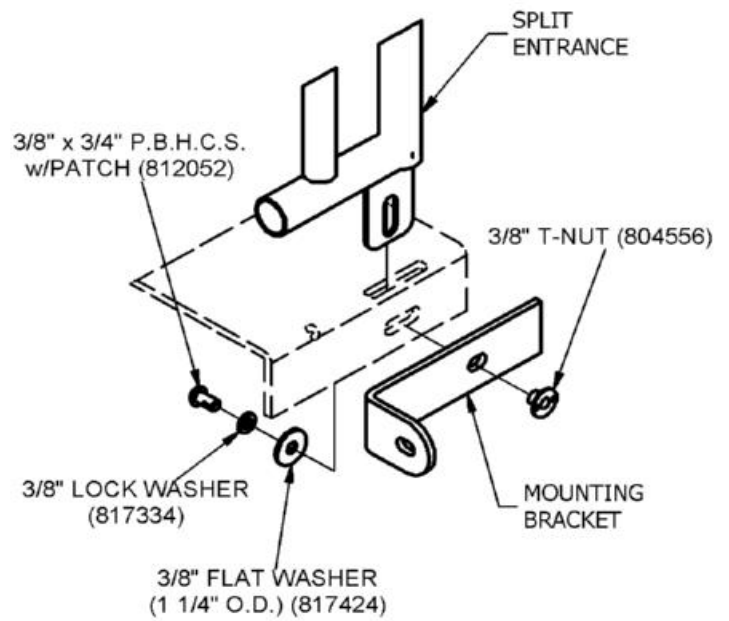
ELEVATION VIEW
5'-4" DECK HEIGHT SHOWN



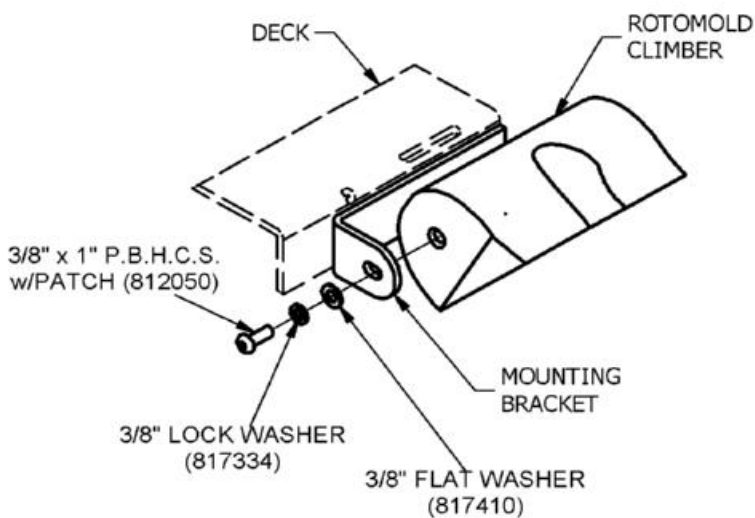
69465 SURGE CLIMBER ATTACHMENT



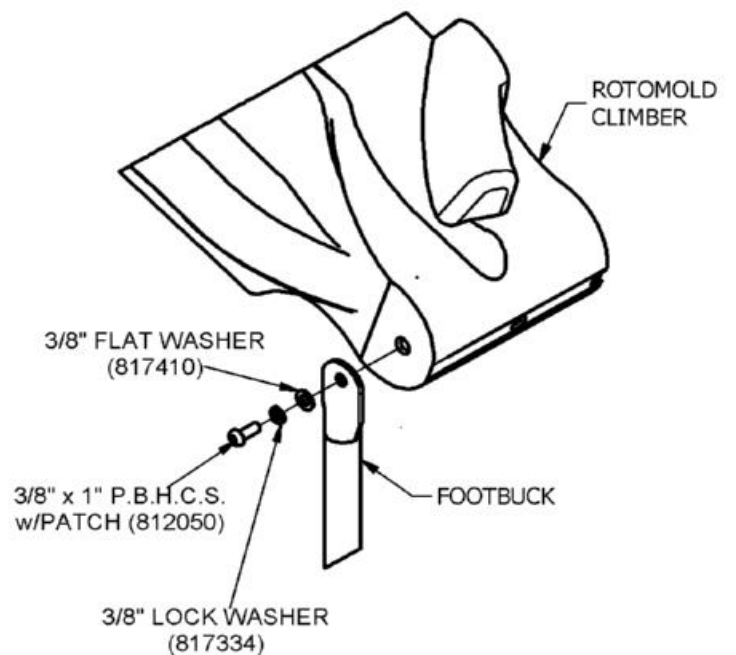
001



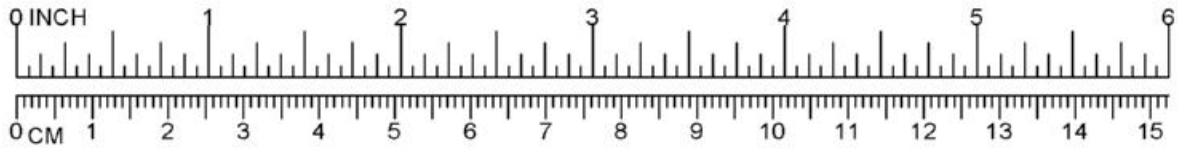
130



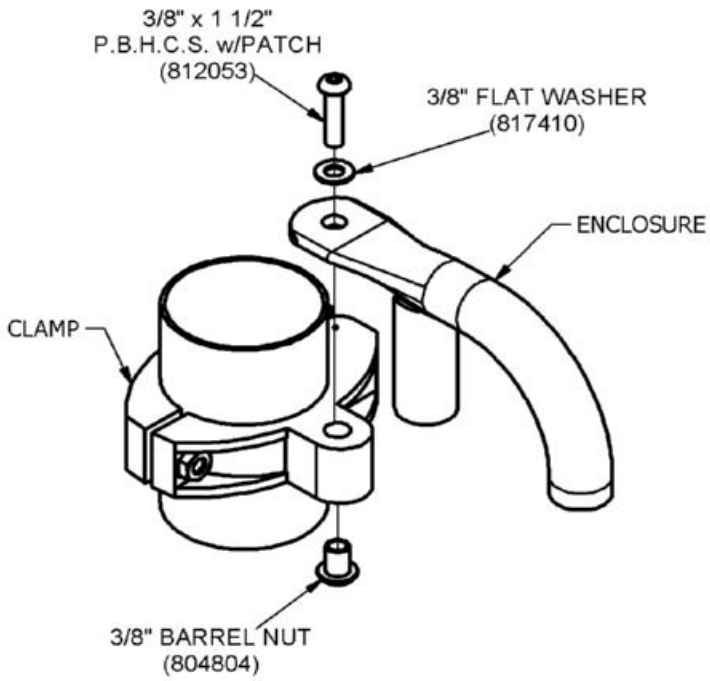
131



132



69465 SURGE CLIMBER ATTACHMENT



797

Duramax

69500 FUNNEL CHUNNEL (LINK) 69501 FUNNEL CHUNNEL (ATTACHMENT)

Parts List			
DESCRIPTION	69500	69501	PART NUMBER
3 1/2" O.D. DECK CLAMP	0	2	301731
PANEL MOUNTING BRACKET	1	1	302170
3 1/2" O.D. PANEL CLAMP	4	4	302567
24" CRAWL TUBE PANEL	1	1	306795
BRACKET	0	2	307429
ROTO TUNNEL	1	1	314666
DOUBLE ROTO PANEL	1	1	314667
DOUBLE ROTO PANEL MOUNTING BRACKET	1	0	315001
HARDWARE COMPLETE	1	0	304556
HARDWARE COMPLETE	0	1	304601
1/4" x 3/4" DRIVE RIVET	4	6	168449
5/16" x 1" P.B.H.C.S. w/PATCH	6	8	812042
5/16" x 1 3/4" P.B.H.C.S. w/PATCH	12	12	812047
5/16" x 2 1/2" P.B.H.C.S. w/PATCH	14	14	812048
5/16" LOCK WASHER	32	32	817330
5/16" FLAT WASHER (5/8" O.D.)	32	34	817406
5/16" T-NUT	26	26	804555
3/8" x 1" P.B.H.C.S. w/PATCH	4	2	812050
3/8" x 1 1/2" P.B.H.C.S. w/PATCH	4	6	812053
3/8" x 1 3/4" P.B.H.C.S. w/PATCH	0	2	812054
3/8" x 2 1/2" P.B.H.C.S. w/PATCH	2	2	812057
3/8" x 2 3/4" P.B.H.C.S. w/PATCH	2	2	812058
3/8" LOCK NUT	4	2	804353
3/8" LOCK WASHER	0	2	817334
3/8" FLAT WASHER	4	4	817410
3/8" FLAT WASHER (1 1/4" O.D.)	8	6	817424
3/8" HEAVY HEX NUT	4	6	804200
3/8" BARREL NUT	4	6	804804

Unless Otherwise Specified, All Units of Measure are Each

**Items listed below Hardware Complete line are included with Hardware Complete Number*

Warning: During Installation, Hardware And Small Parts Are Choking Hazards For Young Children. Store Unused Parts Appropriately Until Assembly Is Completed. Once Assembly Is Completed, Remove Any Unused Parts From The Play Environment And Dispose/Save Them In A Secure Location. Any bolt end protruding more than two full threads beyond the face of the nut causes risk of clothing entanglement.

Promptly cut-off flush, file smooth, and treat to prevent corrosion.

Note: Peen Tee-Nuts and Flatwashers to match radius of pipe after assembly is complete.

Note: Loctite (supplied by others) should be used on any non-patch hardware.

Duramax

69500 FUNNEL CHUNNEL (LINK) 69501 FUNNEL CHUNNEL (ATTACHMENT)

INSTALLATION INSTRUCTIONS:

1. Determine which deck is to receive the Funnel Chunnel Link and Attachment. Refer to Top View.
2. Attach Panel Mounting Bracket to deck using 3/8" x 1" P.B.H.C.S. w/Patch, 3/8" Flat Washer, 3/8" Flat Washer (1 1/4" O.D.), 3/8" Lock Washer, and 3/8" Lock Nut. See Detail 047.
3. Attach 3 1/2" Panel Clamp to 24" Crawl Tube Panel using 3/8" x 2 1/2" P.B.H.C.S. w/Patch, 3/8" Flat Washer (1 1/4" O.D.), and 3/8" Barrel Nut. See Detail 400.
4. Attach 3 1/2" Panel Clamp with 24" Crawl Tube Panel to Upright using 3/8" x 1 1/2" P.B.H.C.S. w/Patch and 3/8" Heavy Hex Nut. See Detail 052.
5. If using Link version, attach Double Roto Panel Mounting Bracket to other deck using 3/8" x 1" P.B.H.C.S. w/Patch, 3/8" Flat Washer, 3/8" Flat Washer (1 1/4" O.D.), 3/8" Lock Washer, and 3/8" Lock Nut. See Detail 047.
6. Attach 3 1/2" O.D. Panel Clamp to Double Roto Panel using 3/8" x 2 3/4" P.B.H.C.S. w/Patch, 3/8" Flat Washer (1 1/4" O.D.), and 3/8" Barrel Nut. See Detail 987.
7. Attach 3 1/2" O.D. Panel Clamp with Double Roto Panel to Upright using 3/8" x 1 1/2" P.B.H.C.S. w/Patch and 3/8" Heavy Hex Nut. See Detail 052.
8. If installing Attachment version, attach Deck Clamp to Uprights using 3/8" x 1 1/2" P.B.H.C.S. w/Patch and 3/8" Heavy Hex Nut. See Detail 052.
9. If installing Attachment version, attach Bracket to bottom of Double Roto Panel using 5/16" x 1" P.B.H.C.S. w/Patch and 5/16" Flat Washer. Then attach bracket to Deck Clamp using 3/8" x 1 3/4" P.B.H.C.S. w/Patch, 3/8" Flat Washer, and 3/8" Barrel Nut. See Detail 232.
10. Attach Roto Tunnel to 24" Crawl Tube Panel using 5/16" x 1 3/4" P.B.H.C.S. w/Patch, 5/16" Lock Washer, 5/16" Lock Washer (5/8" O.D.), and 5/16" T-Nut. See Detail 980.
11. Attach Roto Tunnel to Double Roto Panel using 5/16" x 2 1/2" P.B.H.C.S. w/Patch, 5/16" Lock Washer, 5/16" Flat Washer (5/8" O.D.), and 5/16" T-Nut. See Detail 976.
12. Attach Roto Tunnel to Double Roto Panel Inserts using 5/16" x 1" P.B.H.C.S. w/Patch, 5/16" Lock Washer, and 5/16" Flat Washer (5/8" O.D.). See Detail 977.
13. Plumb and level entire assembly and tight all fasteners.

IMPORTANT! Avoid creating any gaps between the components which fall between 3-1/2" and 9". It has been shown that such gaps create entrapment points which can trap a child and cause injury.

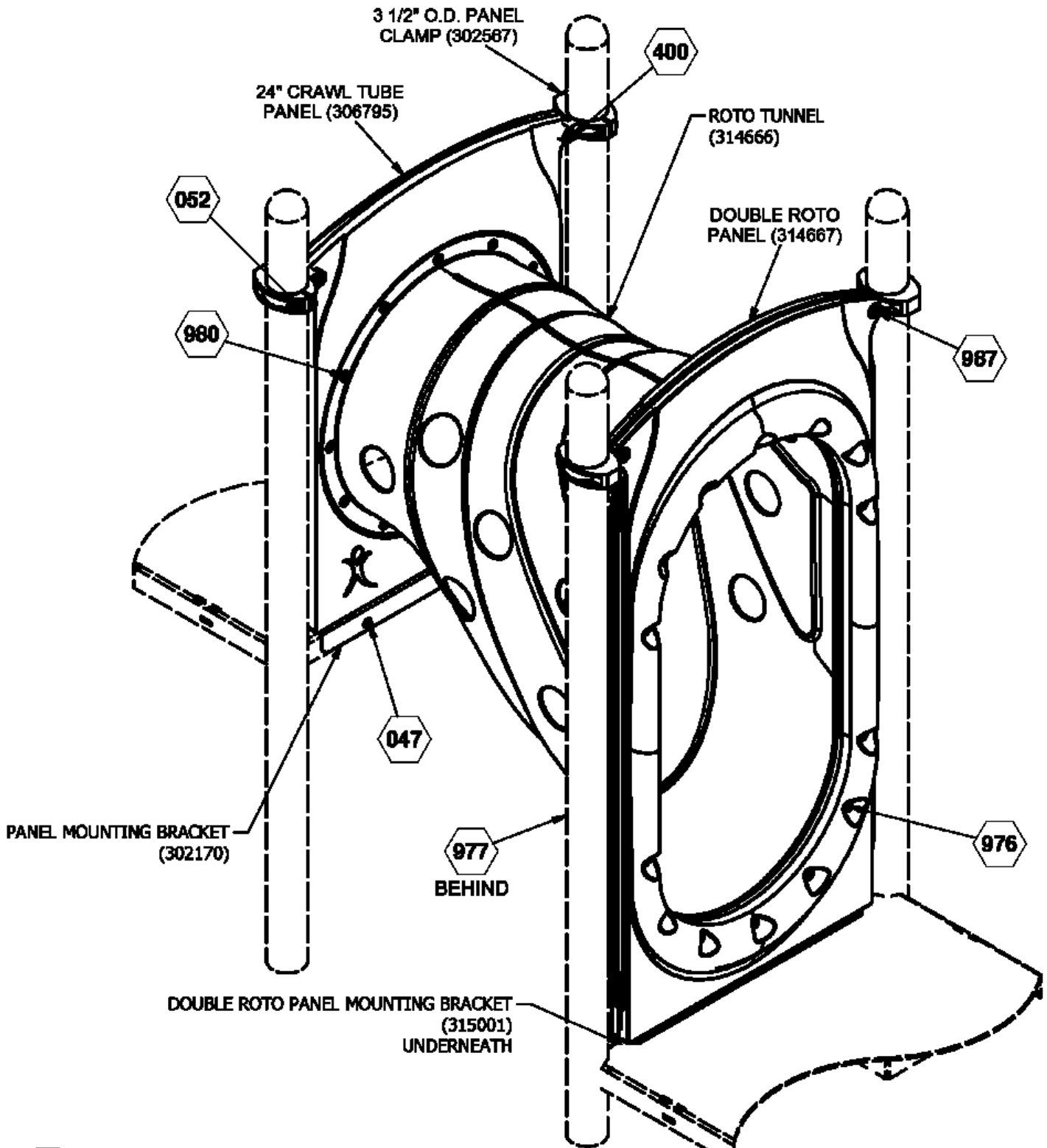
14. Pour concrete footings within 4" to the top and taper away from posts for good water drainage. Allow curing at least 48 hours before proceeding.
15. When the structure is finished and satisfactory, tighten all fasteners and install Drive Rivets in all clamps to ensure clamps cannot slide down posts. See Pipe Clamp sub-assembly sheet. ***It is very important that all Drive Rivets be installed prior to allowing use of equipment, as clamps are not designed to support substantial weight without them.*** Also eliminate sharp points and sharp edges (burring) on installed hardware like bolts, nuts, etc. Install resilient surfacing material within the use zone of play structure in accordance with ASTM specifications F1292 appropriate for the fall height of each structure. Refer to safety guidelines.

MAINTENANCE PROCEDURE:

Periodically check hardware for tightness, and tighten as necessary. Always check all parts for breakage or wear, and immediately put equipment out of service until any faulty parts found are repaired or replaced. Also Check all metal parts for rust, paint loss and touch-up if necessary with paint. Check for welded areas and verify integrity. Check periodically resilient surfacing for appropriate depth and remove extraneous materials that could cause injury, infection, or disease. Maintain detailed installation, inspection, maintenance, and repair records for each public-use playground equipment.

Duramax

69500 FUNNEL CHUNNEL (LINK) 69501 FUNNEL CHUNNEL (ATTACHMENT)



⬡ = INSTALLATION DETAIL

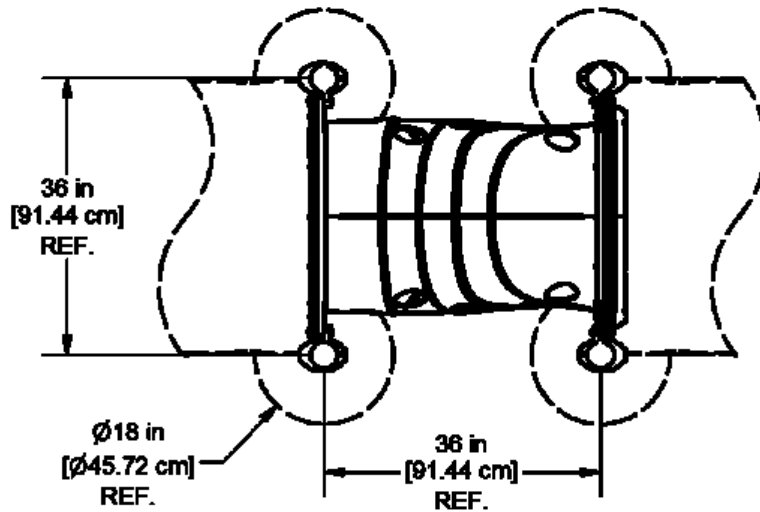
Issued/Revised: 3/21/2019

FINISHED ASSEMBLY
69500 SHOWN

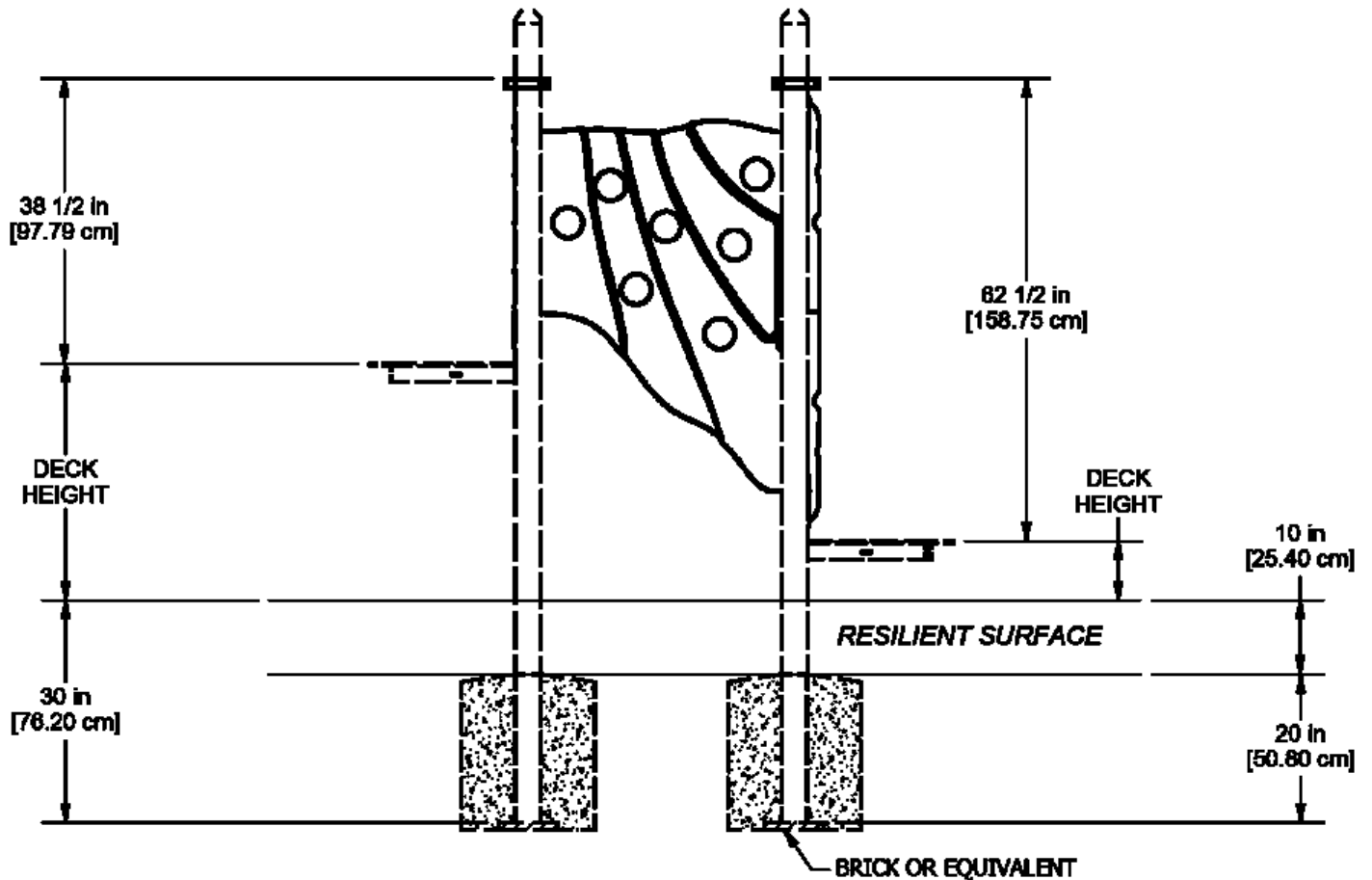
COMPONENTS SHOWN IN
HIDDEN LINES ARE SOLD SEPARATELY
SHEET 3 OF 8

Duramax

69500 FUNNEL CHUNNEL (LINK) 69501 FUNNEL CHUNNEL (ATTACHMENT)



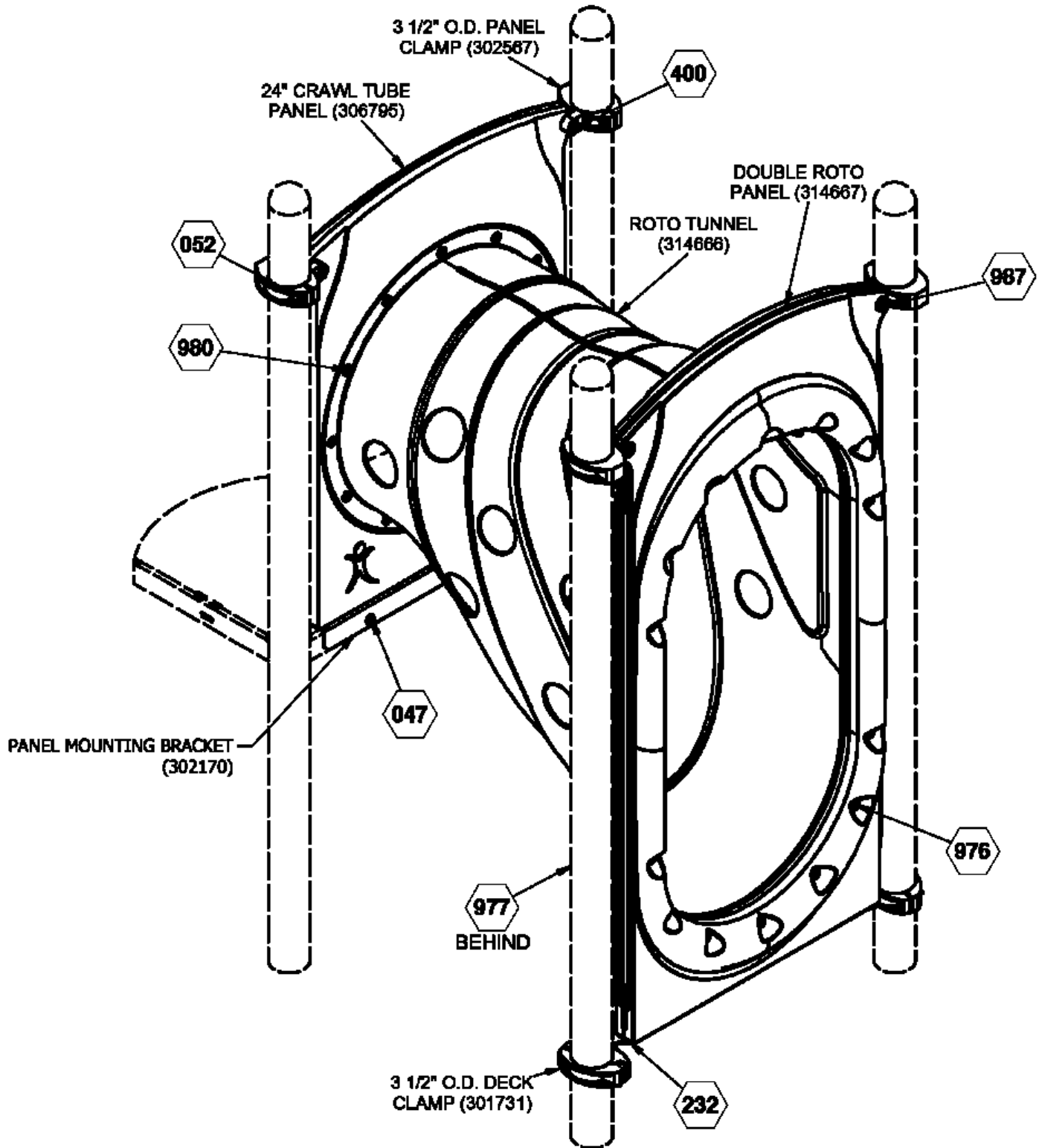
PLAN VIEW




ELEVATION VIEW
69500 SHOWN

Duramax

69500 FUNNEL CHUNNEL (LINK) 69501 FUNNEL CHUNNEL (ATTACHMENT)



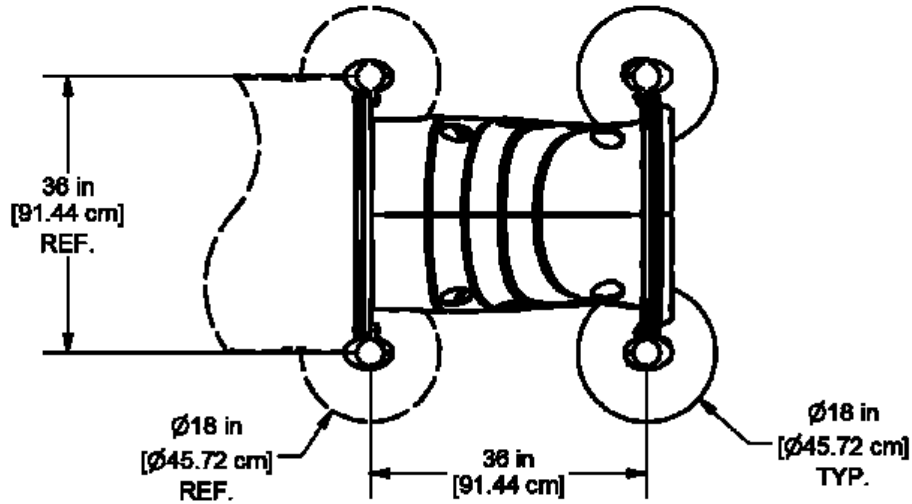
 = INSTALLATION DETAIL
Issued/Revised: 3/21/2019

FINISHED ASSEMBLY
69501 SHOWN

COMPONENTS SHOWN IN
HIDDEN LINES ARE SOLD SEPARATELY
SHEET 5 OF 8

Duramax

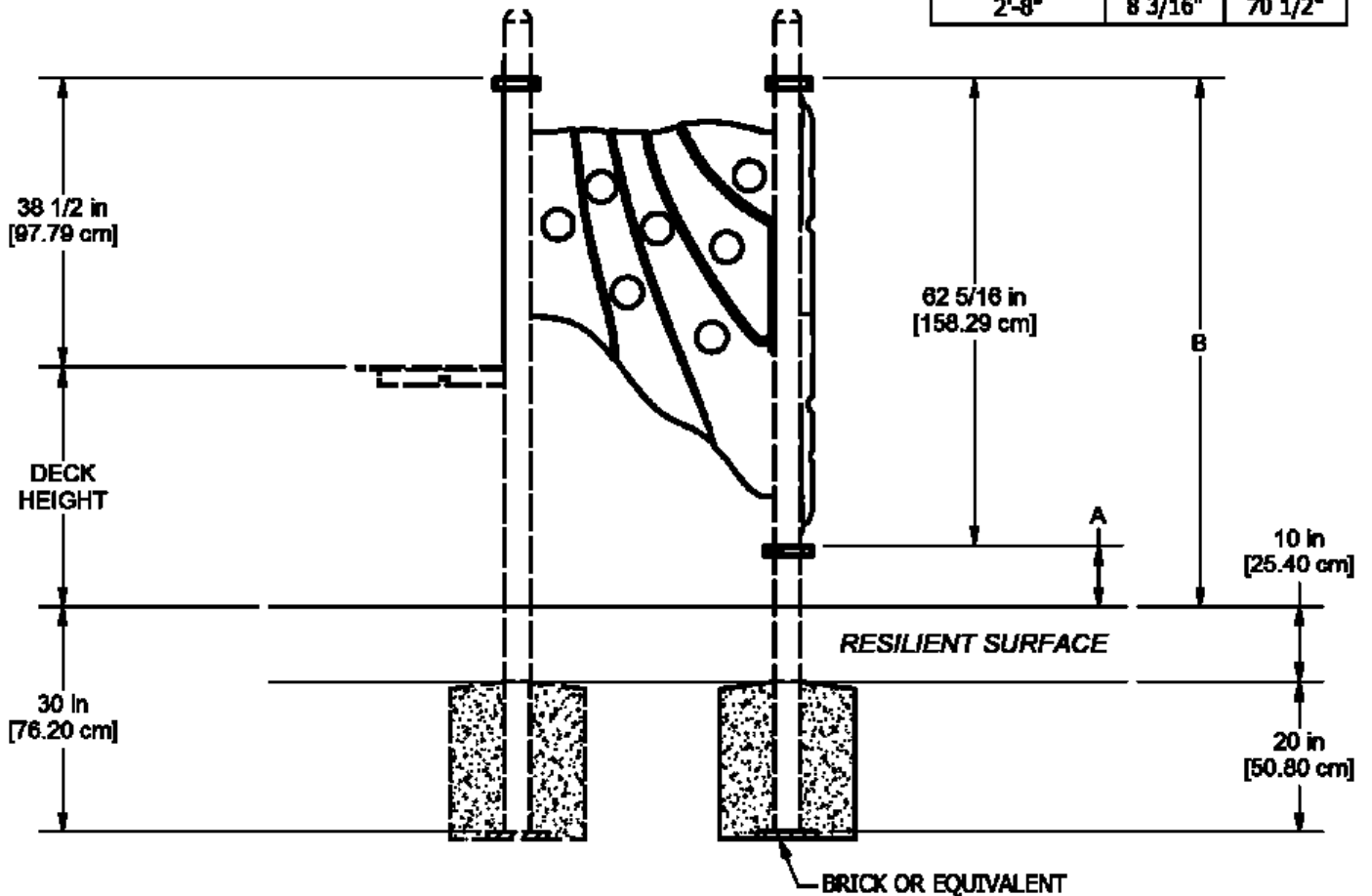
69500 FUNNEL CHUNNEL (LINK) 69501 FUNNEL CHUNNEL (ATTACHMENT)



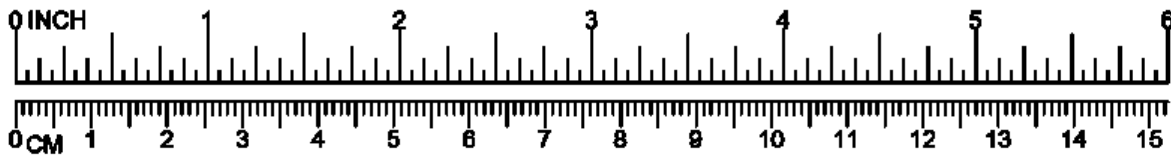
PLAN VIEW

CONCRETE REQUIRED
0.218 CUBIC YARDS
0.167 [CUBIC METERS]

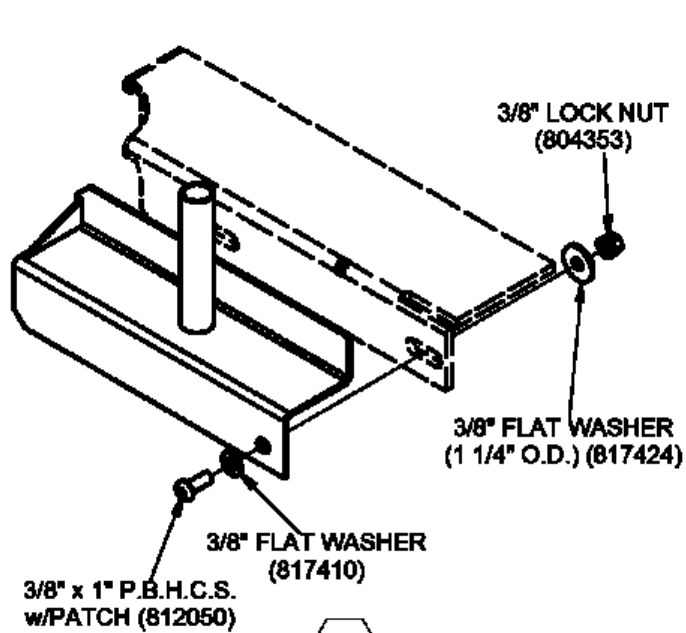
DIM. TABLE		
DECK HEIGHT	DIM. A	DIM. B
2'-0"	3/16"	62 1/2"
2'-8"	8 3/16"	70 1/2"



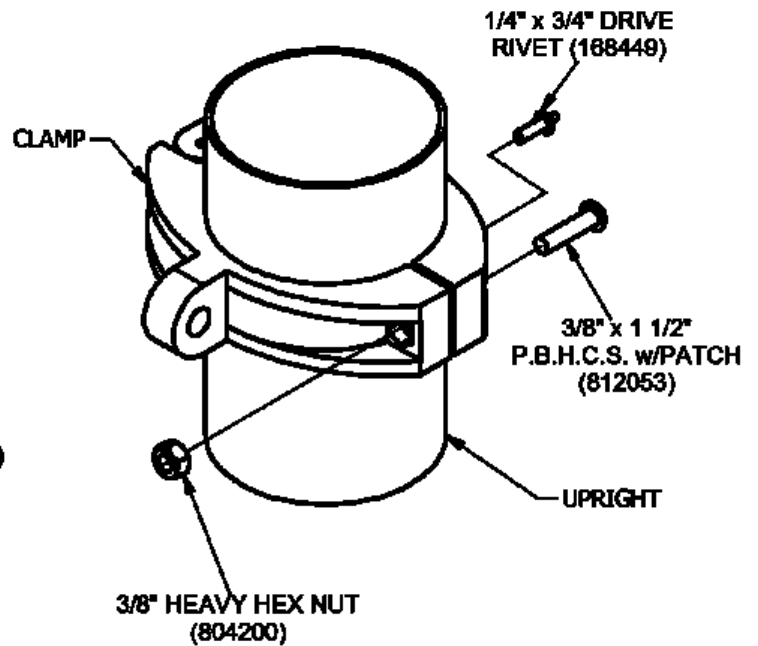
ELEVATION VIEW
69501 SHOWN



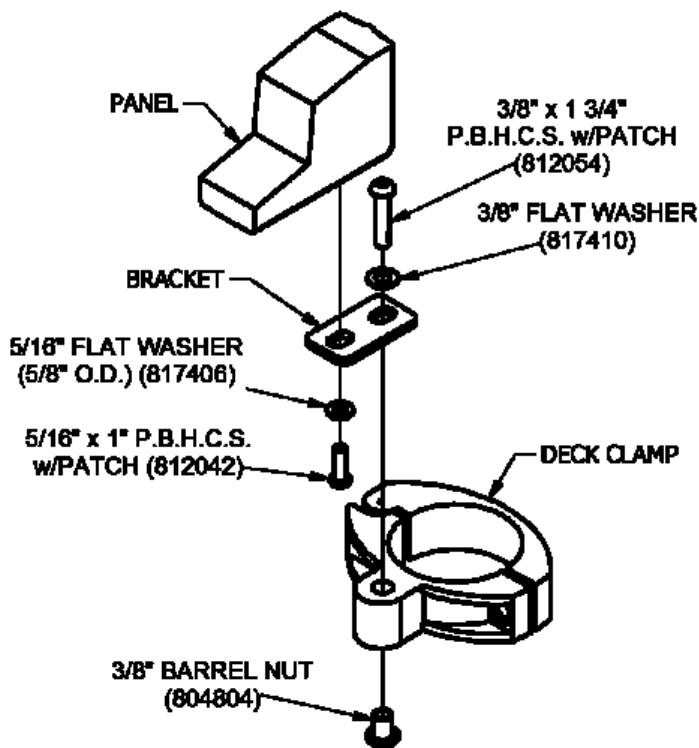
69500 FUNNEL CHUNNEL (LINK) 69501 FUNNEL CHUNNEL (ATTACHMENT)



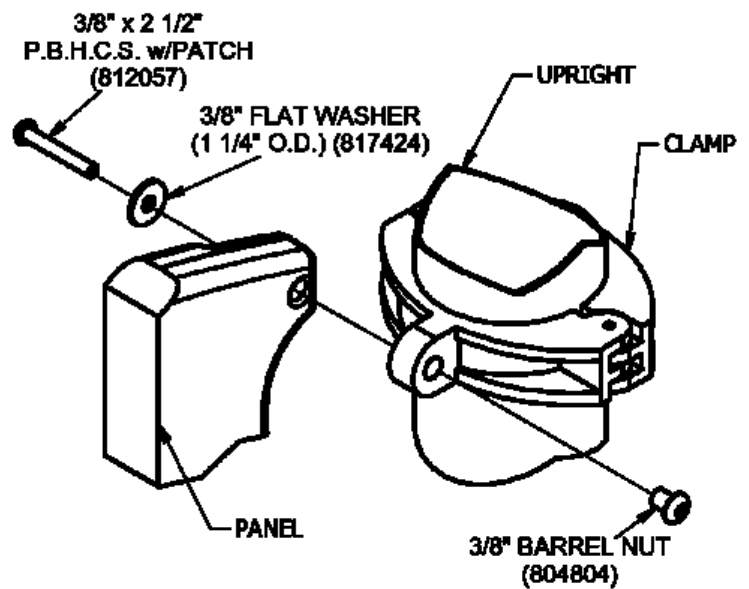
047



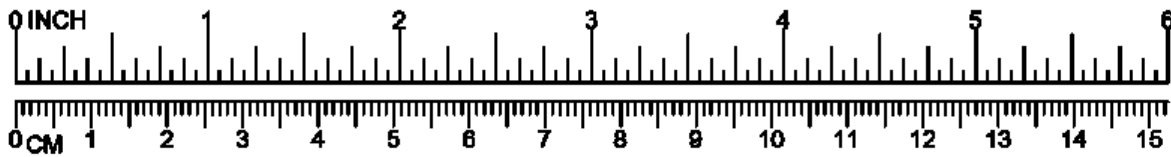
052



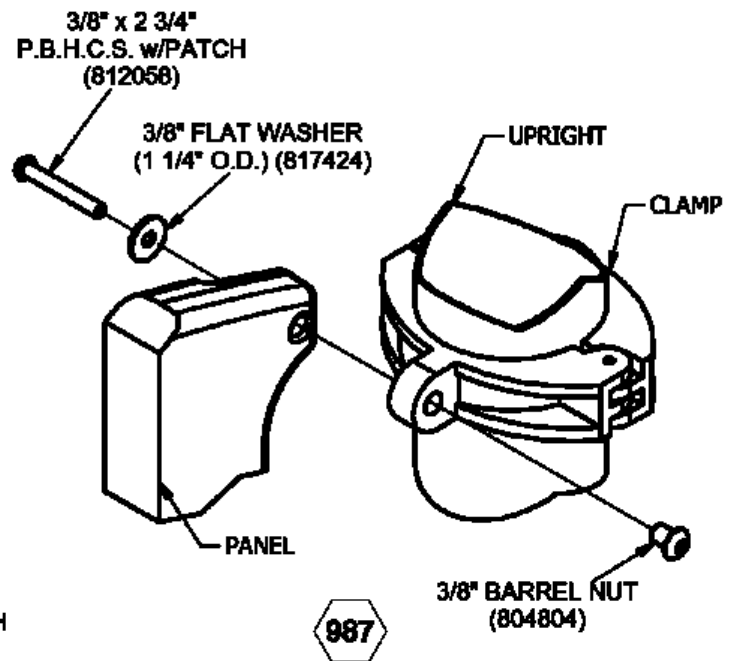
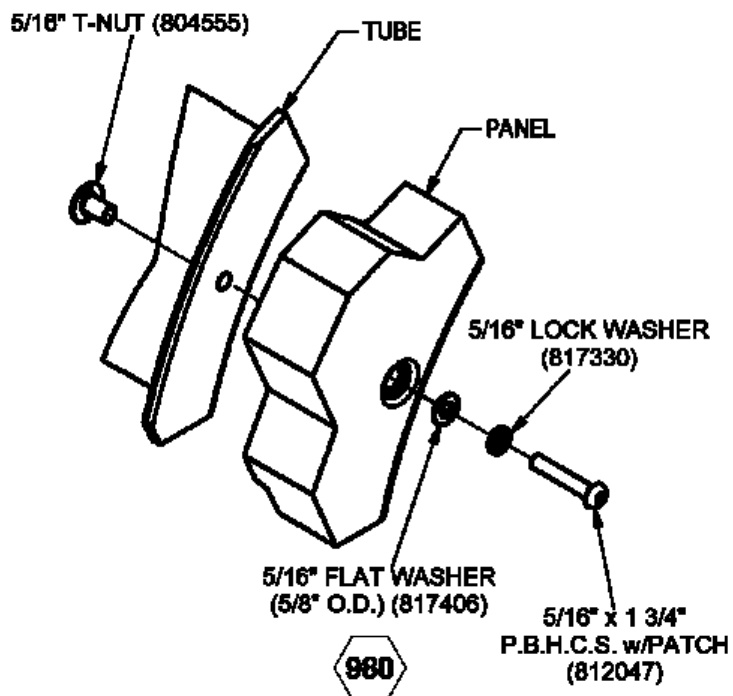
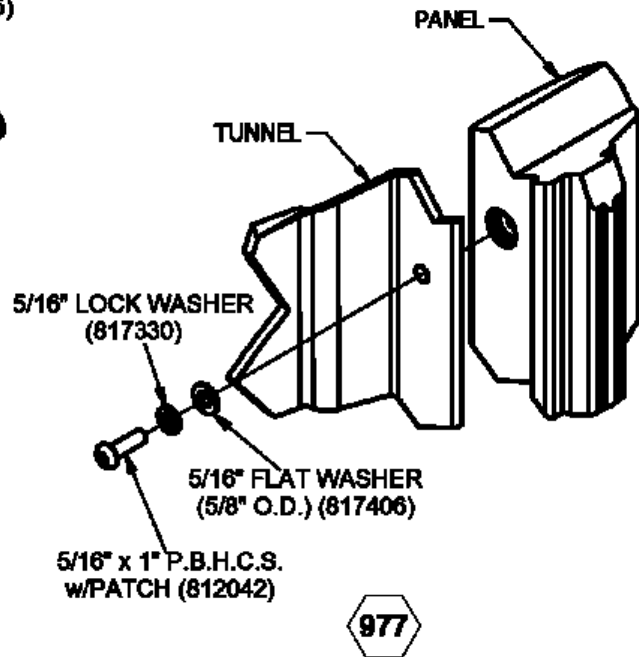
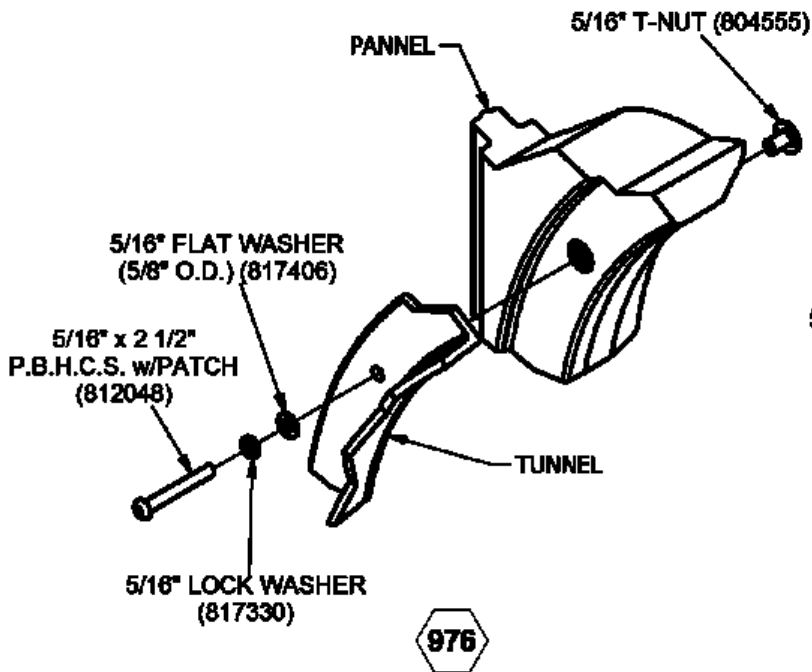
232



400



69500 FUNNEL CHUNNEL (LINK) 69501 FUNNEL CHUNNEL (ATTACHMENT)



Dahn Corporation
5663-PP

This play equipment is recommended for children ages:
2-5 or 5-12

Scale: 3/8" = 1'-0"
This drawing can be scaled only when in an 11" x 17" format

Drawn By:
Sandra Nance
Date:
3/27/2019
Quote Number:
675-124448



405 Golfway West Drive, Suite 302
Saint Augustine, FL. 32095
1-800-853-5316 / www.byoplayground.com

Total Play Components	5		
Elevated Play Components	4		
Elevated Play Components Accessible by Ramp	0	Req.	0
Elevated Components Accessible by Transfer	4	Req.	2
Accessible Ground Level Components Shown	1	Req.	1
Different Types of Ground Level Components	1	Req.	1

User Capacity
15-20
Critical Fall Height
4'-8"

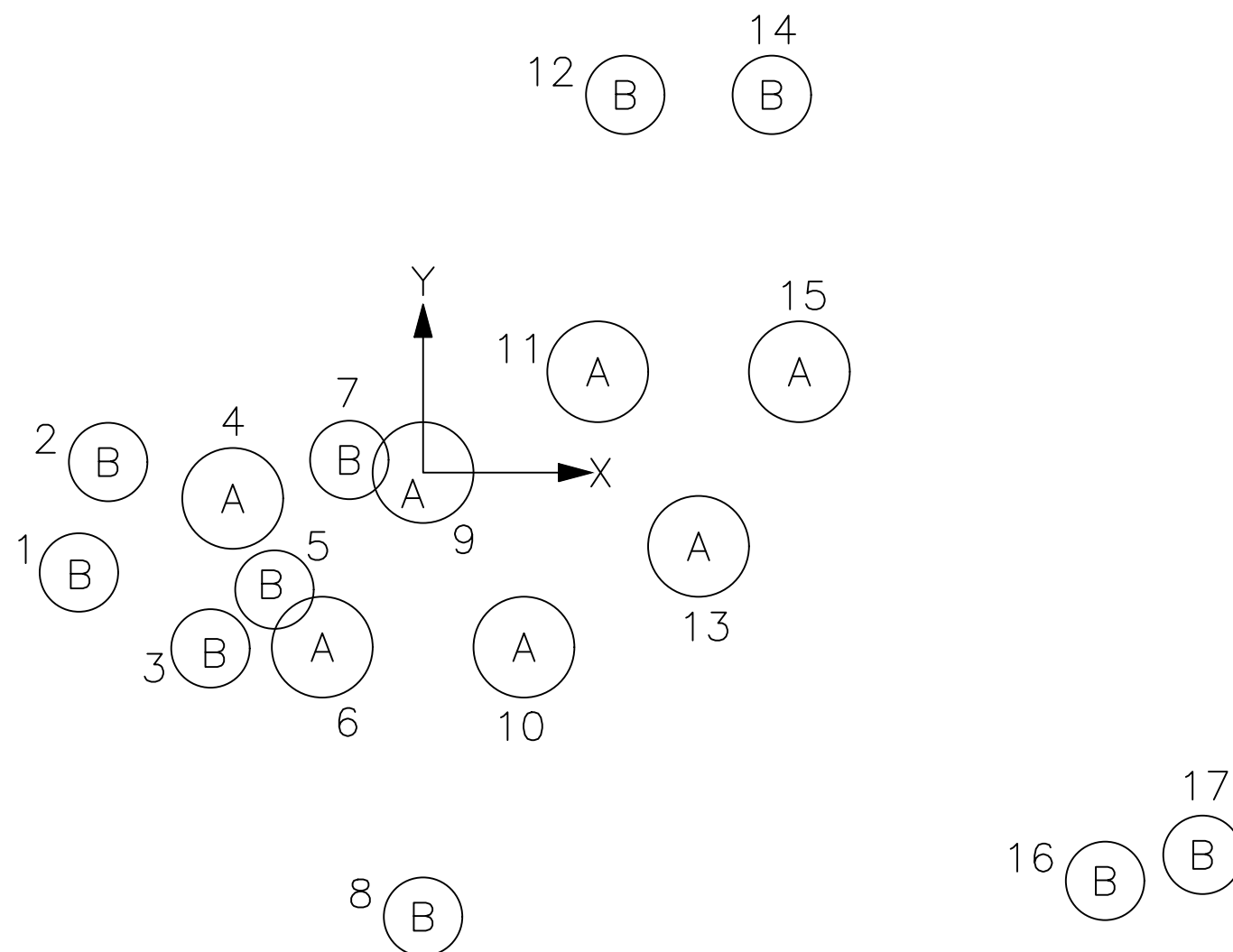
BYO Recreation

Minimum Area Required:
30'-0" x 25'-4"



Arrows at deck corners indicate orientation of each upright. See upright label detail. (Duramax use only)

ORDER NUMBER: 9086618



FOOTINGS ORDINATE TABLE

HOLE	X	Y	DIAG
1	-5'-1 1/2"	-1'-6"	5'-4"
2	-4'-8"	0'-2"	4'-8 1/2"
3	-3'-2"	-2'-7 1/2"	4'-1 1/2"
4	-2'-10"	-0'-4 1/2"	2'-10 1/2"
5	-2'-2 1/2"	-1'-9"	2'-10"
6	-1'-6"	-2'-7"	3'-0"
7	-1'-1"	0'-2 1/2"	1'-1 1/2"
8	0'-0"	-6'-7 1/2"	6'-7 1/2"
9	0'-0"	0'-0"	0'-0"
10	1'-6"	-2'-7"	3'-0"
11	2'-7"	1'-6"	3'-0"
12	3'-0"	5'-7 1/2"	6'-4 1/2"
13	4'-1"	-1'-1"	4'-3"
14	5'-2 1/2"	5'-7 1/2"	7'-8"
15	5'-7"	1'-6"	5'-9 1/2"
16	10'-2"	-6'-1"	11'-10"
17	11'-7"	-5'-8 1/2"	12'-11"

FOOTINGS TABLE

TYPE	DIAMETER/SIDE	DEPTH	QTY.
A	1'-6" [45.72cm]	2'-6" [76.20cm]	7
B	1'-2" [35.56cm]	2'-6" [76.20cm]	10

It is the manufacturer's opinion that the structure shown herein complies with current ada standards concerning accessibility if used with proper accessible surfacing and together with other necessary ground level play equipment.

IMPORTANT: Never install play equipment over hard, unresilient surfaces such as asphalt, concrete, or compacted earth. It is the owner's responsibility to ensure the "minimum area required" contains an appropriate amount of resilient material to cushion accidental falls.

Dahn Corporation
5663-PP

This play equipment is recommended for children ages:
2-5 or 5-12

Scale: 1/4" = 1'-0"
This drawing can be scaled only when in an 11" x 17" format

Drawn By:
Sandra Nance
Date:
3/27/2019
Quote Number:
675-124448



405 Golfway West Drive, Suite 302
Saint Augustine, FL. 32095
1-800-853-5316 / www.byoplayground.com



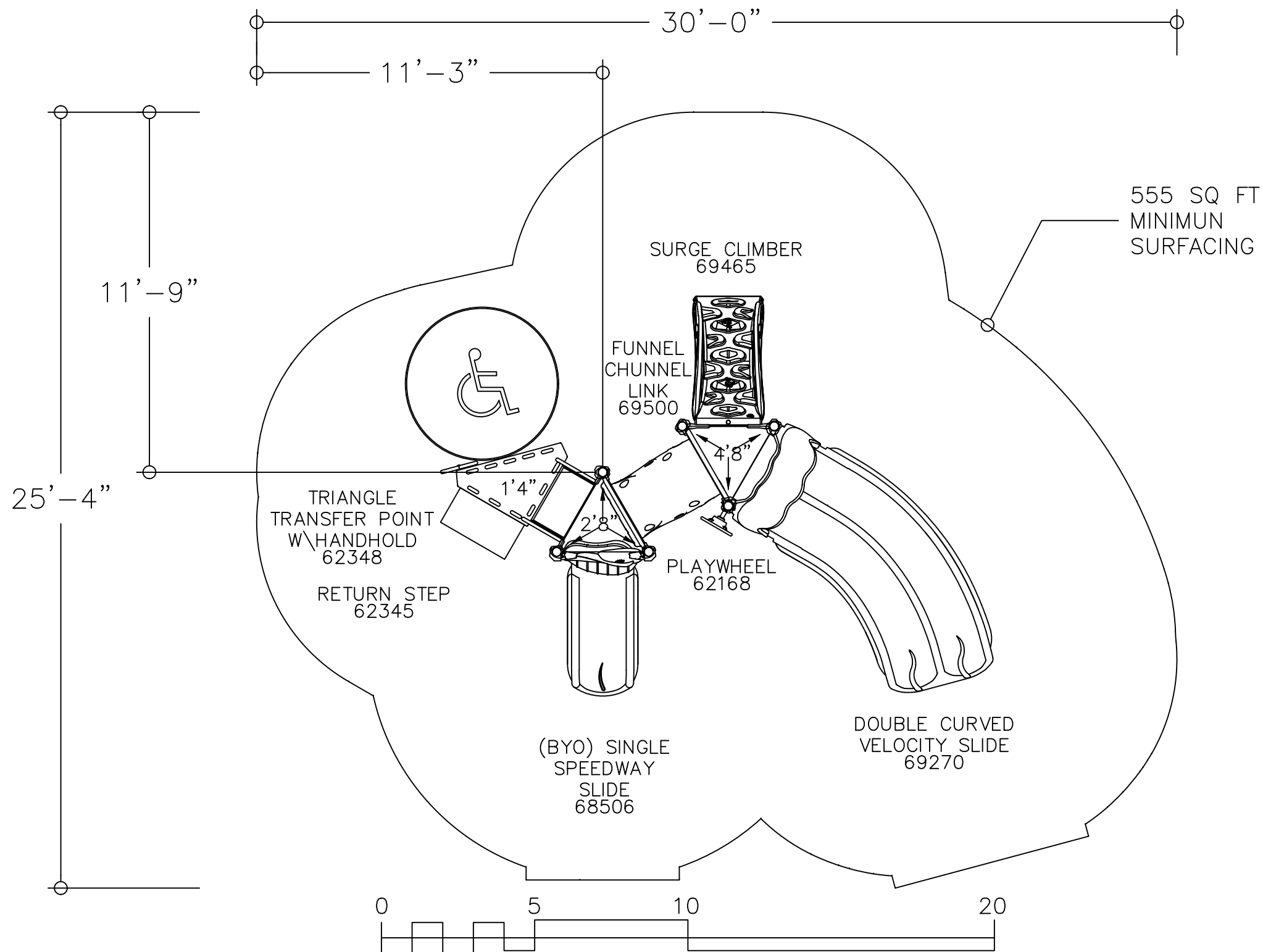
Total Play Components	5					
Elevated Play Components	4					
Elevated Play Components Accessible by Ramp	0	Req.	0			User Capacity
Elevated Components Accessible by Transfer	4	Req.	2			15-20
Accessible Ground Level Components Shown	1	Req.	1			Critical Fall Height
Different Types of Ground Level Components	1	Req.	1			4'-8"

BYO Recreation



Arrows at deck corners indicate orientation of each upright. See upright label detail. (Duramax use only)

ORDER NUMBER: 9086618



It is the manufacturer's opinion that the structure shown herein complies with current ada standards concerning accessibility if used with proper accessible surfacing and together with other necessary ground level play equipment.
IMPORTANT: Never install play equipment over hard, unresilient surfaces such as asphalt, concrete, or compacted earth. It is the owner's responsibility to ensure the "minimum area required" contains an appropriate amount of resilient material to cushion accidental falls.

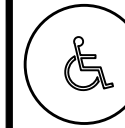
Dahn Corporation
5663-PP

This play equipment is recommended for children ages:
2-5 or 5-12

Scale: 1/4" = 1'-0"
This drawing can be scaled only when in an 11" x 17" format

Drawn By:
Sandra Nance
Date:
3/27/2019
Quote Number:
675-124448

BYO
RECREATION
405 Golfway West Drive, Suite 302
Saint Augustine, FL. 32095
1-800-853-5316 / www.byoplayground.com



Total Play Components	5		
Elevated Play Components	4		
Elevated Play Components Accessible by Ramp	0	Req.	0
Elevated Components Accessible by Transfer	4	Req.	2
Accessible Ground Level Components Shown	1	Req.	1
Different Types of Ground Level Components	1	Req.	1

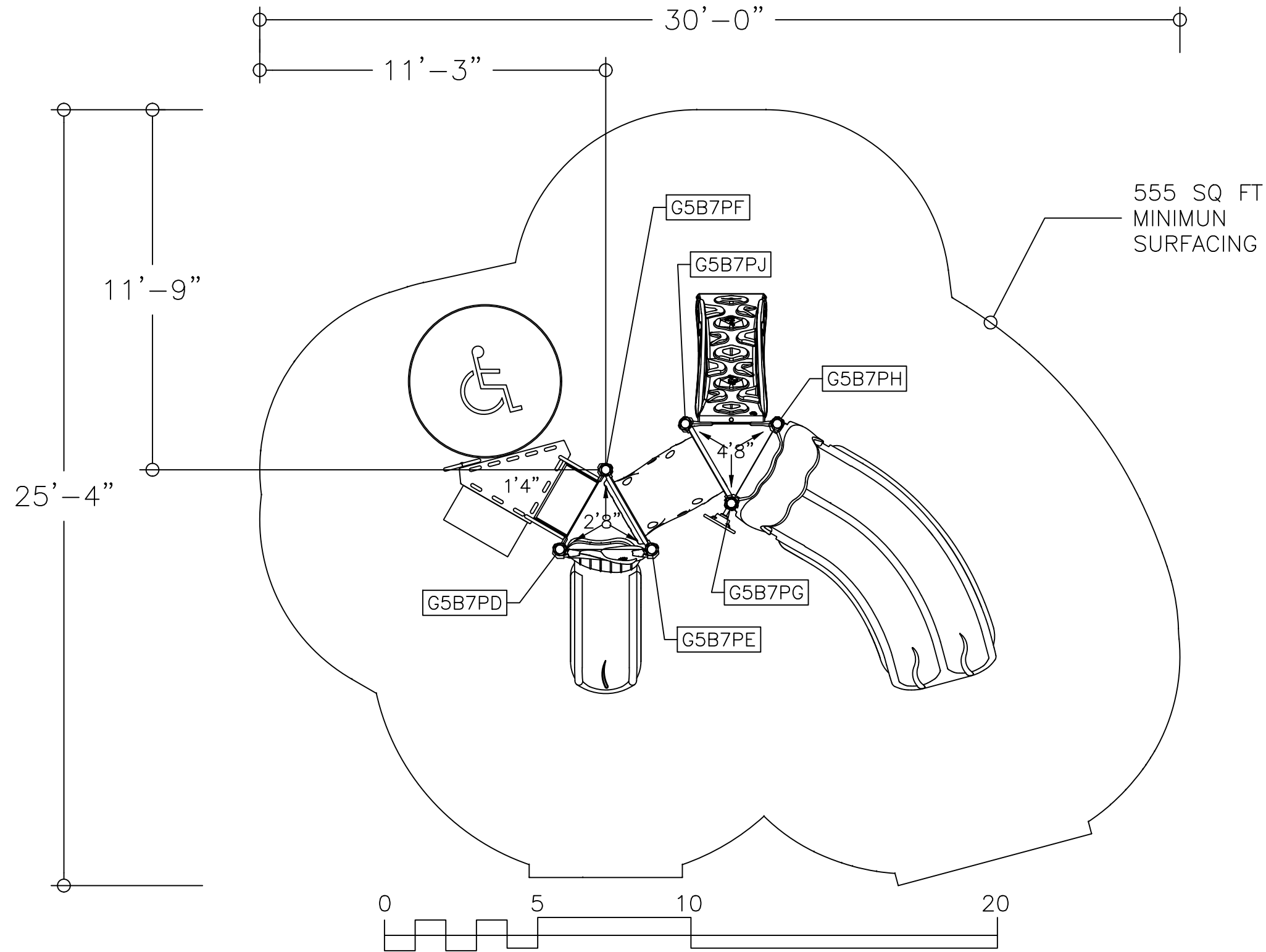
<u>User Capacity</u>	15-20
<u>Critical Fall Height</u>	4'-8"

BYO Recreation



Arrows at deck corners indicate orientation of each upright. See upright label detail. (Duramax use only)

ORDER NUMBER: 9086618



It is the manufacturer's opinion that the structure shown herein complies with current ada standards concerning accessibility if used with proper accessible surfacing and together with other necessary ground level play equipment.
IMPORTANT: Never install play equipment over hard, unresilient surfaces such as asphalt, concrete, or compacted earth. It is the owner's responsibility to ensure the "minimum area required" contains an appropriate amount of resilient material to cushion accidental falls.